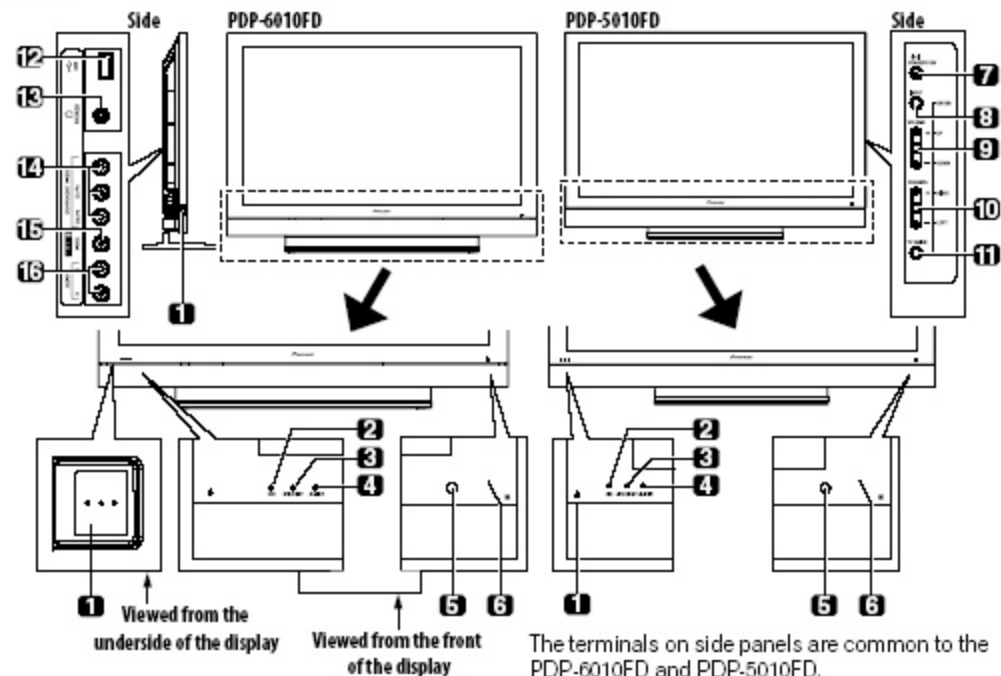


(Front)



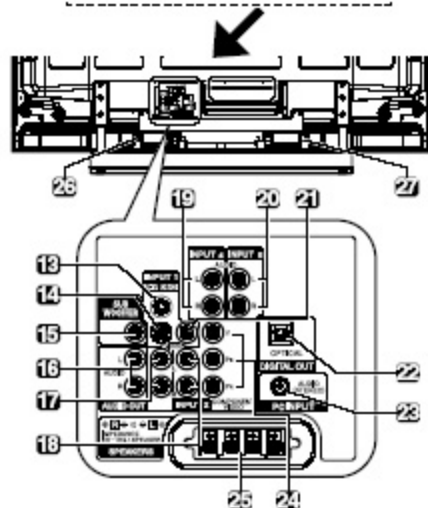
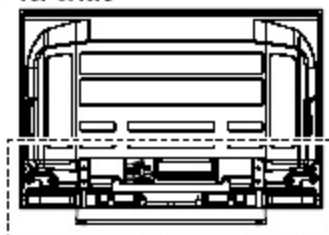
The terminals on side panels are common to the PDP-6010FD and PDP-5010FD.

- 1 **⏻ button** (This button is located on the bottom of the side panel of the plasma display for the PDP-6010FD and at the bottom on the rear panel for the PDP-5010FD. (See 1 on page 15.) If the button is off, the power will not turn on even when **TV** **⏻** on the remote control unit or **STANDBY/ON** on the plasma display is pressed. To turn on the power, press **⏻** (for PDP-5010FD) or slide **⏻** up (for PDP-6010FD)).
- 2 **POWER ON indicator** (See page 33.)
- 3 **STANDBY indicator** (See page 33.)
- 4 **SLEEP indicator**
- 5 **Room Light Sensor**
- 6 **Remote control sensor**
- 7 **STANDBY/ON button**

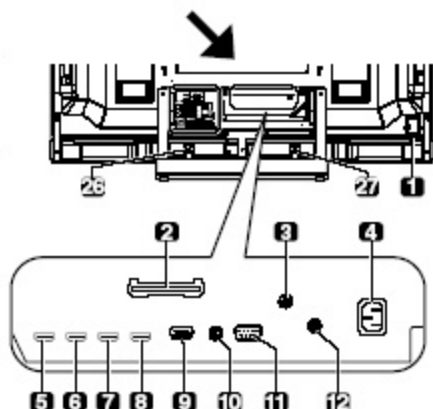
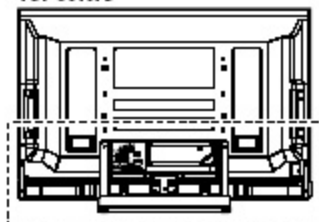
- 8 **INPUT button (ENTER button*)**
- 9 **VOLUME UP/DOWN buttons (UP/DOWN buttons*)**
- 10 **CHANNEL UP/DOWN buttons (LEFT/RIGHT buttons*)**
- 11 **TV GUIDE button***
- 12 **USB port**
- 13 **PHONES output terminal**
- 14 **INPUT 3 terminals (COMPONENT VIDEO: Y, Pb, Pr)**
- 15 **INPUT 3 terminal (VIDEO)**
- 16 **INPUT 3 terminals (AUDIO)**

The buttons with asterisks (*) can operate the TV Guide On Screen™ system.

(Rear) PDP-6010FD



PDP-5010FD



*For exact terminal positions, refer to the terminal position sheet located near the terminal compartment.

The terminals on the rear panel are common to the PDP-6010FD and PDP-5010FD.

- 1 button
- 2 CableCARD™ slot
- 3 ANT/CABLE A IN terminal
- 4 AC IN terminal
- 5 INPUT 4 terminal (HDMI)
- 6 INPUT 5 terminal (HDMI)
- 7 INPUT 6 terminal (HDMI)
- 8 INPUT 7 terminal (HDMI)
- 9 PC INPUT terminal (ANALOG RGB)
- 10 CONTROL OUT terminal
- 11 RS-232C terminal (used for factory setup)
- 12 ANT B IN terminal
- 13 INPUT 1 terminal (S-VIDEO)
- 14 INPUT 1 terminal (VIDEO)
- 15 SUB WOOFER terminal
- 16 AUDIO OUT terminals (AUDIO)
- 17 INPUT 1 terminals (AUDIO)
- 18 INPUT 2 terminals (AUDIO)
- 19 INPUT 4 terminals (AUDIO)
- 20 INPUT 5 terminals (AUDIO)
- 21 INPUT 2 terminal (VIDEO)
- 22 DIGITAL OUT terminal (OPTICAL)
- 23 PC INPUT terminal (AUDIO)
- 24 INPUT 2 terminals (COMPONENT VIDEO: Y, Pb, Pr)
- 25 SPEAKERS (R/L) terminals
- 26 SPEAKERS (R) terminal (Speaker side)
- 27 SPEAKERS (L) terminal (Speaker side)