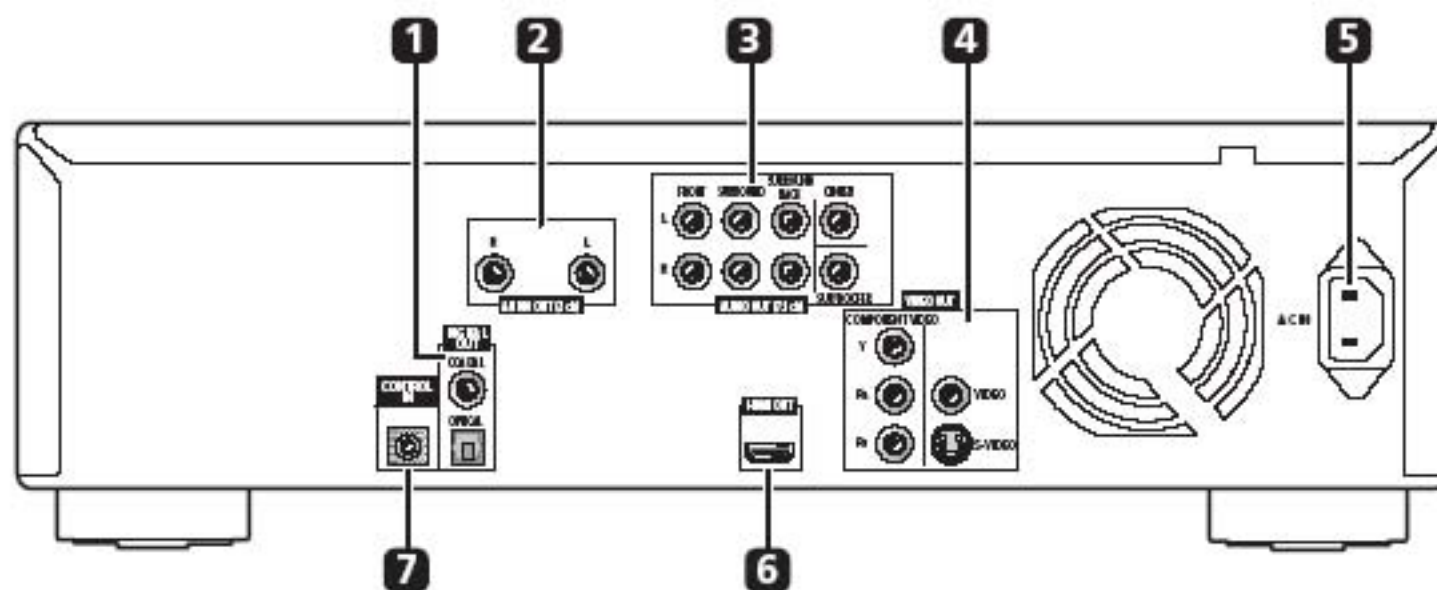


Rear Panel



1 DIGITAL OUT (COAXIAL/OPTICAL)

Connect with the digital audio input terminal on an AV receiver or amplifier, etc.

2 AUDIO OUT (2 ch) terminals

Connect with the audio input terminals on a TV, AV receiver or amplifier, etc.

3 AUDIO OUT (7.1 ch) terminals

Connect with the multi-channel (7.1- or 5.1-channel) audio input terminals on an AV receiver or amplifier, etc.

4 VIDEO OUT terminals

VIDEO – Connect with the video input terminal on a TV, AV receiver or amplifier, etc.

S-VIDEO – Connect with the S-Video input terminal on a TV, AV receiver or amplifier, etc.

COMPONENT VIDEO – Connect with the component video input terminals on a TV, AV receiver or amplifier, etc.


5 AC IN

Connect the power cord here.

6 HDMI OUT terminal

Connect with an HDMI-compatible TV, AV receiver or amplifier, etc.

7 CONTROL IN terminal

Use to control this player from the remote sensor of another Pioneer component with a **CONTROL OUT** terminal and bearing the  mark. Connect the **CONTROL OUT** of the other component to the **CONTROL IN** of this player using a mini-plug cord.



Caution

- Be sure to connect cables for outputting the audio and video signals (pages 14 and 17).
- When connected via System Control, point the remote control toward the connected component (such as an AV receiver or amplifier). The remote will not work correctly when pointed at this player.
- You cannot use System Control with components that do not have a System Control terminal or with components manufactured by companies other than Pioneer.