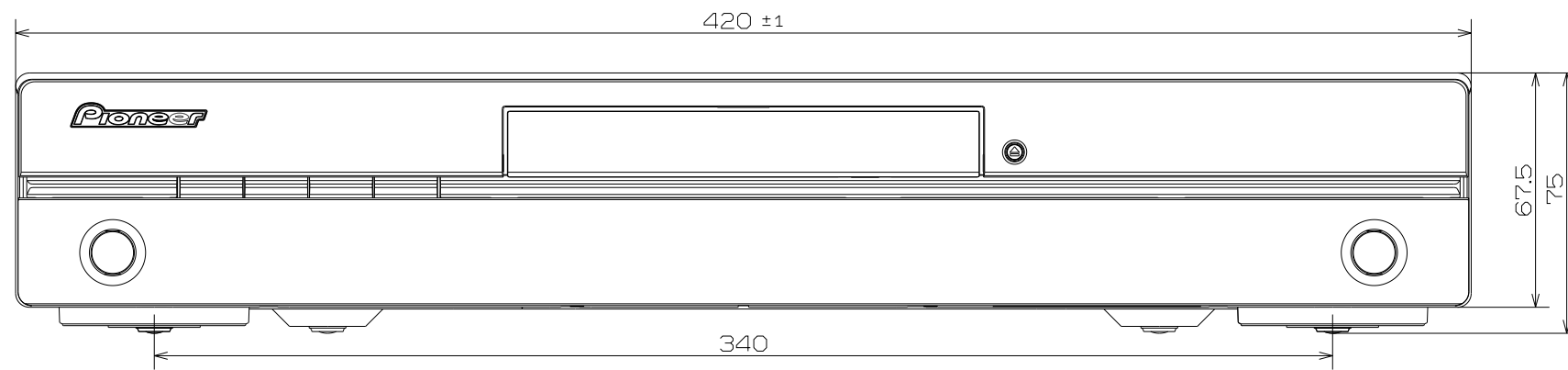
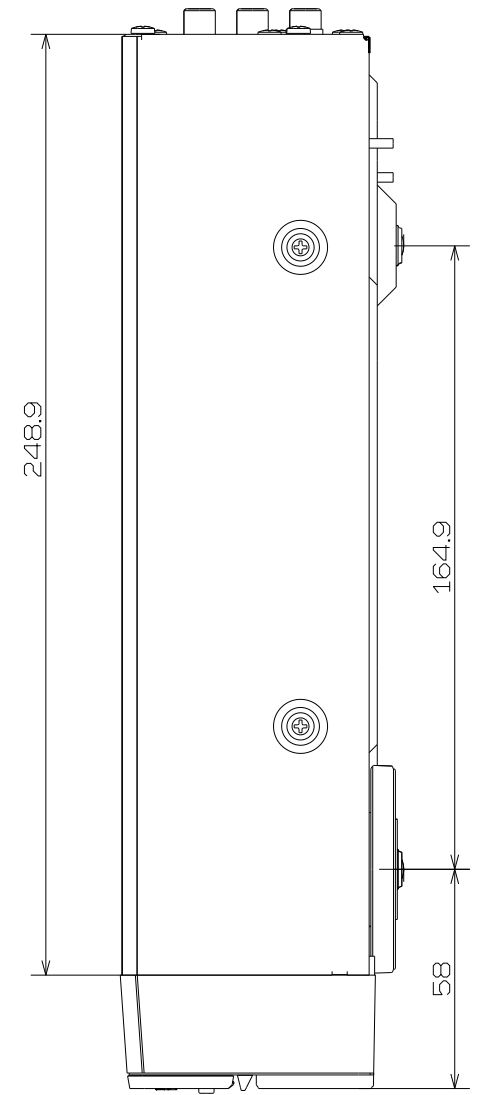
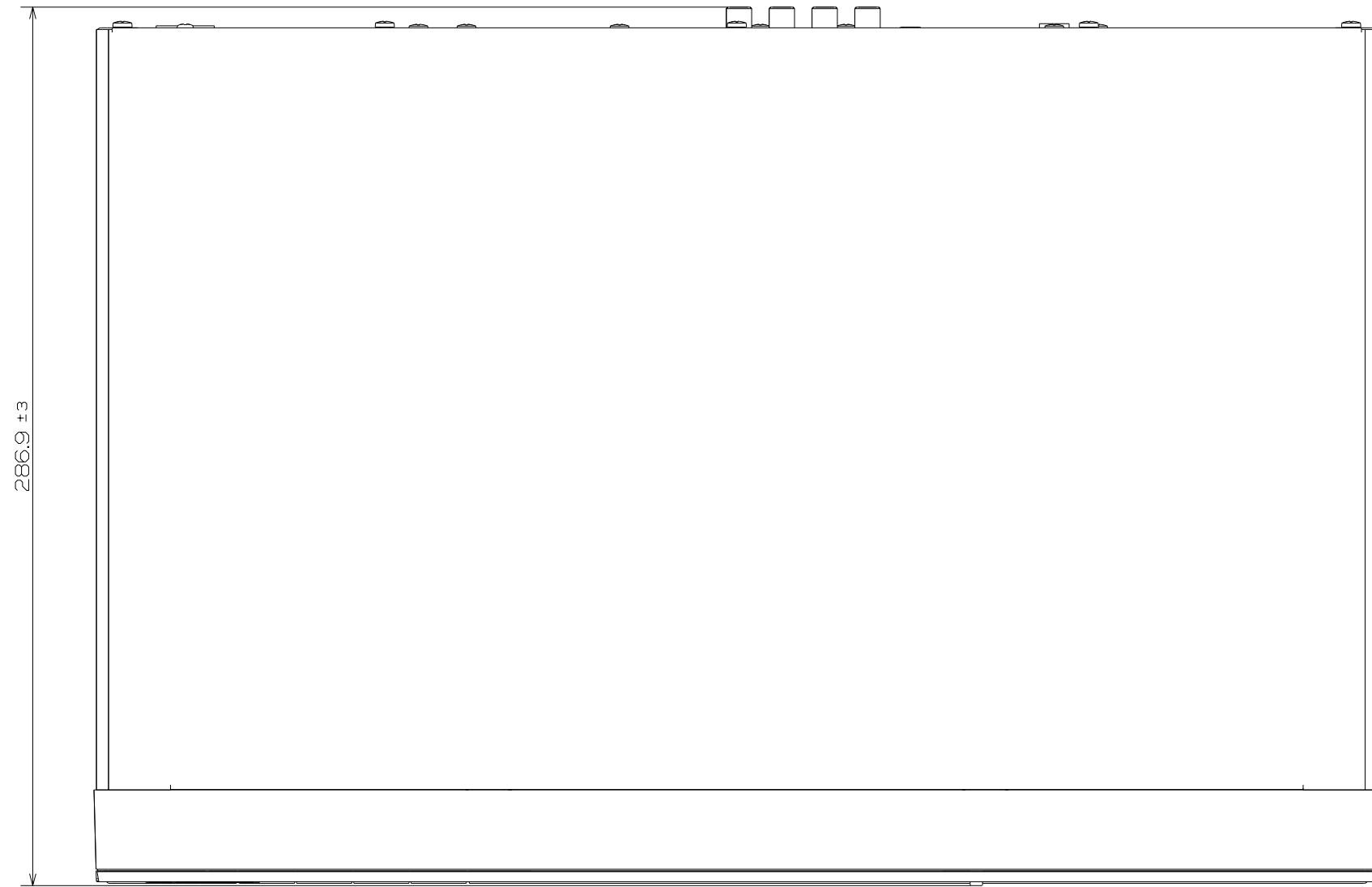


# OUTLINE DIMENSION DRAWING

## BDP-320/UXJCA



A3  
Scale 1:2