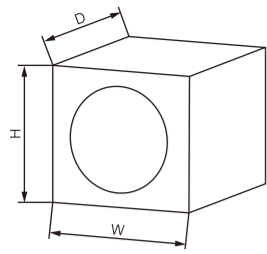


● RECOMMENDED ENCLOSURE DIMENSIONS ● DIMENSIONS RECOMMANDÉES POUR L'ENCEINTE ● DIMENSIONES RECOMENDADAS DE LA CAJA ● DIMENSÕES RECOMENDADAS DA CAIXA

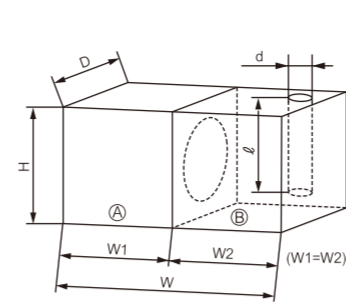
■ Sealed ■ Cios ■ Vedada ■ Vedada



Model Modèle Modelo Modelo	W	H	D	Volume Volume Volumen Volume
TS-W310S4 / TS-W310D4	15-5/8" (396 mm)	15-5/8" (396 mm)	12-3/8" (314 mm)	1.25 cu.ft (35.4 liters)
TS-W260S4 / TS-W260D4	13-7/8" (351 mm)	13-7/8" (351 mm)	10-5/8" (269 mm)	0.8 cu.ft (22.6 liters)

Model Modèle Modelo Modelo	Tight Tigris Ajustada Ajustada	Recommended Recommandé Recomendada Recomendada	Deep Profondeur Profunda Profunda
TS-W310S4 / TS-W310D4	0.85 cu.ft (24.1 liters)	1.25 cu.ft (35.4 liters)	1.75 cu.ft (49.5 liters)
TS-W260S4 / TS-W260D4	0.65 cu.ft (18.4 liters)	0.8 cu.ft (22.6 liters)	1.25 cu.ft (35.4 liters)

■ Bandpass ■ Passe-bande ■ Pasabanda ■ Bandpass

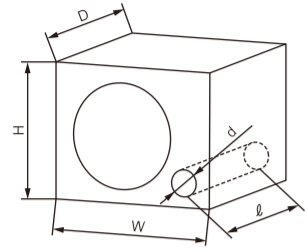


Model Modèle Modelo Modelo	W	H	D	d x l	Volume Volume Volumen Volume
TS-W310S4 TS-W310D4	19" (481 mm)	15-1/8" (385 mm)	15-1/8" (385 mm)	3" Dia. (φ 76 mm) x 5" (127 mm)	(A) 0.9 cu.ft (25.5 liters) (B) 0.9 cu.ft (25.5 liters)
TS-W260S4 TS-W260D4	17-3/4" (449 mm)	13-1/8" (332 mm)	13-1/8" (332 mm)	3" Dia. (φ 76 mm) x 7" (178 mm) 3" Dia. (φ 76 mm) x 6" (152 mm)	(A) 0.6 cu.ft (17.0 liters) (B) 0.6 cu.ft (17.0 liters)

Model Modèle Modelo Modelo	Tight Tigris Ajustada Ajustada	Recommended Recommandé Recomendada Recomendada	Deep Profondeur Profunda Profunda
TS-W310S4	(A) 0.7 cu.ft (19.8 liters) (B) 0.7 cu.ft (19.8 liters)	(A) 0.9 cu.ft (25.5 liters) (B) 0.9 cu.ft (25.5 liters)	(A) 1.1 cu.ft (31.1 liters) (B) 1.1 cu.ft (31.1 liters)
TS-W260S4	(A) 0.45 cu.ft (12.7 liters) (B) 0.45 cu.ft (12.7 liters)	(A) 0.6 cu.ft (17.0 liters) (B) 0.6 cu.ft (17.0 liters)	(A) 0.8 cu.ft (22.6 liters) (B) 0.8 cu.ft (22.6 liters)

■ Ported ■ Transféré

■ Puerta ■ Portado

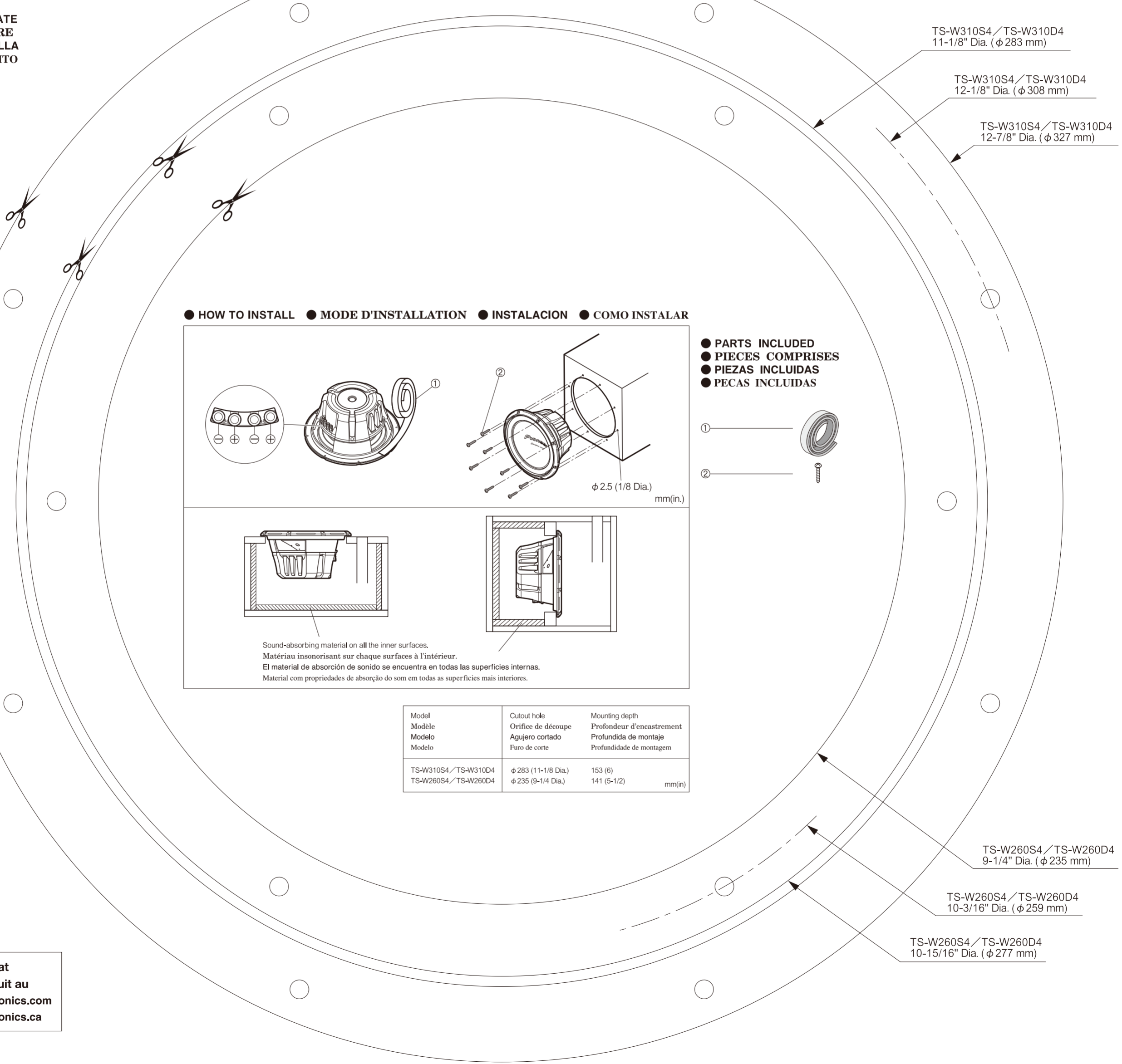


Model Modèle Modelo Modelo	W	H	D	d x l	Volume Volume Volumen Volume
TS-W310S4 TS-W310D4	18-1/8" (461 mm)	14-5/8" (373 mm)	13-1/4" (338 mm)	3" Dia. (φ 76 mm) x 5.5" (140 mm) 3" Dia. (φ 76 mm) x 6" (152 mm)	1.5 cu.ft (42.5 liters)
TS-W260S4 TS-W260D4	15-5/8" (396 mm)	13-7/8" (353 mm)	12-3/8" (314 mm)	3" Dia. (φ 76 mm) x 7" (178 mm) 3" Dia. (φ 76 mm) x 7.5" (191 mm)	1.1 cu.ft (31.1 liters)

Model Modèle Modelo Modelo	Tight Tigris Ajustada Ajustada	Recommended Recommandé Recomendada Recomendada	Deep Profondeur Profunda Profunda
TS-W310S4 / TS-W310D4	1.25 cu.ft (35.4 liters)	1.5 cu.ft (42.5 liters)	2.0 cu.ft (56.6 liters)
TS-W260S4 / TS-W260D4	0.9 cu.ft (25.5 liters)	1.1 cu.ft (31.1 liters)	1.5 cu.ft (42.5 liters)

※ W, W1, W2, D, H : External Dimensions
PIONEER recommends the speaker enclosure be manufactured with 3/4" (19 mm) MDF particle board.
※ W, W1, W2, D, H : Dimensions externes
PIONEER recommande que le coffret du haut-parleur soit fait de panneau d'aggloméré MDF de 19 mm.
※ W, W1, W2, D, H : Dimensiones externas
PIONEER recomienda que el gabinete del altavoz sea elaborado con madera multilaminar de 19 mm MDF.
※ W, W1, W2, D, H : Dimensões externas
A PIONEER recomenda que a caixa de som seja fabricada com placas de partículas 19 mm MDF.

● TEMPLATE
● CALIBRE
● PLANTILLA
● GABARITO



● HOW TO INSTALL ● MODE D'INSTALLATION ● INSTALACION ● COMO INSTALAR

Sound-absorbing material on all the inner surfaces.
Matériau insonorisant sur chaque surfaces à l'intérieur.
El material de absorción de sonido se encuentra en todas las superficies internas.
Material com propriedades de absorção do som em todas as superfícies mais interiores.

● PARTS INCLUDED
● PIECES COMPRISES
● PIEZAS INCLUIDAS
● PECAS INCLUIDAS



Model Modèle Modelo Modelo	Cutout hole Orifice de découpe Agujero cortado Furo de corte	Mounting depth Profondeur d'encastrament Profundidad de montaje Profundidade de montagem
TS-W310S4 / TS-W310D4	φ 283 (11-1/8 Dia.)	153 (6)
TS-W260S4 / TS-W260D4	φ 235 (9-1/4 Dia.)	141 (5-1/2)

Register your product at
Enregistrez votre produit au
<http://www.pioneerelectronics.com>
<http://www.pioneerelectronics.ca>

