

# Installation Manual Manuel d'installation

MULTIMEDIA NAVIGATION RECEIVER  
RECEPTEUR DE NAVIGATION MULTIMEDIA

# AVIC-Z140BH AVIC-X940BT

---

## 01 Precautions

Your new navigation system and this manual **3**

Important safeguards **3**

## 02 Connecting the system

Precautions before connecting the system **4**

Before installing this product **4**

To prevent damage **4**

- Notice for the blue/white lead **5**

Parts supplied **6**

- AVIC-Z140BH **6**
- AVIC-X940BT **6**

Connecting the system **8**

Connecting the power cord (1) **10**

Connecting the power cord (2) **12**

When connecting to separately sold power amp **14**

When connecting a rear view camera **16**

When connecting the external video component **17**

- Using an AV input (AV1) **17**
- Using an AV input (AV2) **18**

When connecting the rear display **18**

- When using a rear display connected to rear video output **18**

When connecting the external unit featuring video source **19**

## 03 Installation

Precautions before installation **20**

To avoid electromagnetic interference **20**

Before installing **20**

- For AVIC-Z140BH users **21**

Installing the navigation system **21**

- Installation notes **21**
- Parts supplied **22**
- Installation using the screw holes on the side of the navigation unit **22**

- Fastening the detachable faceplate **23**

Installing the GPS antenna **24**

- Installation notes **24**
- Parts supplied **24**
- When installing the antenna inside the vehicle (on the dashboard or rear shelf) **25**

Installing the microphone **26**

- Parts supplied **26**
- Mounting on the sun visor **26**
- Installation on the steering column **27**
- Adjusting the microphone angle **27**

## Precautions

### Your new navigation system and this manual

- The navigation features of this product (and the rear view camera option if purchased) are intended solely to aid you in the operation of your vehicle. It is not a substitute for your attentiveness, judgment and care when driving.
- Never use this navigation system to route to hospitals, police stations, or similar facilities in an emergency. Please call the appropriate emergency number.
- Do not operate this navigation system (or the rear view camera option if purchased) if doing so will divert your attention in any way from the safe operation of your vehicle. Always observe safe driving rules and follow all existing traffic regulations. If you experience difficulty in operating the system or reading the display, park your vehicle in a safe location and apply the parking brake before making the necessary adjustments.
- This manual explains how to install this navigation system in your vehicle. Operation of this navigation system is explained in the separate manuals for the navigation system.
- Do not install this product where it may (i) obstruct the driver's vision, (ii) impair the performance of any of the vehicle's operating systems or safety features, including airbags, hazard lamp buttons, or (iii) impair the driver's ability to safely operate the vehicle. In some cases, it may not be possible to install this product because of the vehicle type or the shape of the vehicle interior. ■

### Important safeguards



#### WARNING

**Pioneer does not recommend that you install your navigation system yourself. We recommend that only authorized Pioneer service personnel, who have special training and experience in mobile electronics, set up and install this product. NEVER SERVICE THIS PRODUCT YOURSELF. Installing or servicing this product and its connecting cables may expose you to the risk of electric shock or other hazards, and can cause damage to the navigation system that is not covered by warranty.**

- Read this manual fully and carefully before installing your navigation system.
- Keep this manual handy for future reference.
- Pay close attention to all warnings in this manual and follow the instructions carefully.
- This navigation system may in certain circumstances display inaccurate position of your vehicle, the distance of objects shown on the screen, and compass directions. In addition, the system has certain limitations, including the inability to identify one-way streets, temporary traffic restrictions and potentially unsafe driving areas. Please exercise your own judgment in the light of actual driving conditions.
- As with any accessory in your vehicle's interior, the navigation system should not divert your attention from the safe operation of your vehicle. If you experience difficulty in operating the system or reading the display, please make adjustments while safely parked.
- Please remember to wear your seat belt at all times while operating your vehicle. If you are in an accident, your injuries can be considerably more severe if your seat belt is not properly buckled.
- Certain country and government laws may prohibit or restrict the placement and use of this system in your vehicle. Please comply with all applicable laws and regulations regarding the use, installation and operation of your navigation system. ■

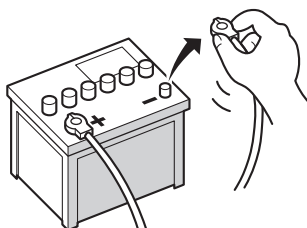
## Precautions before connecting the system

### ⚠ CAUTION

- If you decide to perform the installation yourself, and have special training and experience in the mobile electronics installations, please carefully follow all of the steps in the installation manual.
- Secure all wiring with cable clamps or electrical tape. Do not allow any bare wiring to remain exposed.
- Do not directly connect the yellow lead of this product to the vehicle battery. If the lead is directly connected to the battery, engine vibration may eventually cause the insulation to fail at the point where the wire passes from the passenger compartment into the engine compartment. If the yellow lead's insulation tears as a result of contact with metal parts, short-circuiting can occur, resulting in considerable danger.
- It is extremely dangerous to allow cables to become wound around the steering column or shift lever. Be sure to install this product, its cables, and wiring away in such so that they will not obstruct or hinder driving.
- Make sure that the cables and wires will not interfere with or become caught in any of the vehicle's moving parts, especially the steering wheel, shift lever, parking brake, sliding seat tracks, doors, or any of the vehicle's controls.
- Do not route wires where they will be exposed to high temperatures. If the insulation heats up, wires may become damaged, resulting in a short circuit or malfunction and permanent damage to the product.
- Do not cut the GPS antenna cable to shorten it or use an extension to make it longer. Altering the antenna cable could result in a short circuit or malfunction.
- Do not shorten any leads. If you do, the protection circuit (fuse holder, fuse resistor or filter, etc.) may fail to work properly.
- Never feed power to other electronic products by cutting the insulation of the power supply lead of the navigation system and tapping into the lead. The current capacity of the lead will be exceeded, causing overheating. ▣

## Before installing this product

- Use this unit with a 12-volt battery and negative grounding only. Failure to do so may result in a fire or malfunction.
- To avoid shorts in the electrical system, be sure to disconnect the (-) battery cable before installation.



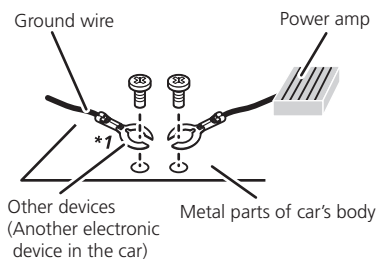
## To prevent damage

### ⚠ WARNING

- Use speakers over 50 W (output value) and between 4  $\Omega$  to 8  $\Omega$  (impedance value). Do not use 1  $\Omega$  to 3  $\Omega$  speakers for this unit.

## Connecting the system

- **The black cable is ground. When installing this unit or power amp (sold separately), make sure to connect the ground wire first. Ensure that the ground wire is properly connected to metal parts of the car's body. The ground wire of the power amp and the one of this unit or any other device must be connected to the car separately with different screws. If the screw for the ground wire loosens or falls out, it could result in fire generation of smoke or malfunction.**



- **When replacing the fuse, be sure to only use a fuse of the rating prescribed on this product.**
  - When disconnecting a connector, pull the connector itself. Do not pull the lead, as you may pull it out of the connector.
  - This product cannot be installed in a vehicle without ACC (accessory) position on the ignition switch.



ACC position



No ACC position

- To avoid short-circuiting, cover the disconnected lead with insulating tape. It is especially important to insulate all unused speaker leads, which if left uncovered may cause a short circuit.

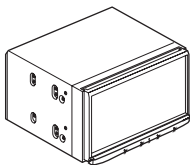
- Attach the connectors of the same color to the corresponding colored port, i.e., blue connector to the blue port, black to black, etc.
- Refer to the owner's manual for details on connecting the power amp and other units, then make connections accordingly.
- Since a unique BPTL circuit is employed, do not directly ground the  $\ominus$  side of the speaker lead or connect the  $\ominus$  side of another side of the speaker lead together. Be sure to connect the  $\ominus$  side of the speaker lead to the  $\ominus$  side of the speaker lead on this navigation system.
- If the RCA pin jack on this product will not be used, do not remove the caps attached to the end of the connector.

### Notice for the blue/white lead

- When the ignition switch is turned on (ACC ON), a control signal is output through the blue/white lead. Connect to an external power amp's system remote control terminal, the auto-antenna relay control terminal, or the antenna booster power control terminal (max. 300 mA 12 V DC). The control signal is output through the blue/white lead, even if the audio source is switched off.
- Be sure not to use this lead as the power supply lead for the external power amps. Such connection could cause excessive current drain and malfunction.
- Be sure not to use this lead as the power supply lead for the auto-antenna or antenna booster. Such connection could cause excessive current drain and malfunction. ■

### Parts supplied

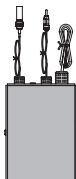
#### AVIC-Z140BH



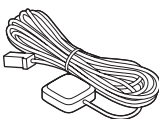
The navigation unit



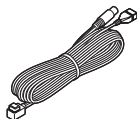
Power cord



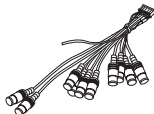
Traffic tuner



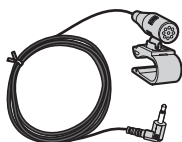
GPS antenna



USB and mini-jack connector

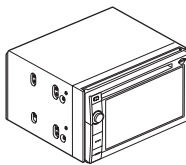


RCA connector



Microphone

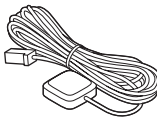
#### AVIC-X940BT



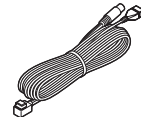
The navigation unit



Power cord



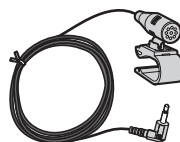
GPS antenna



USB and mini-jack connector



RCA connector

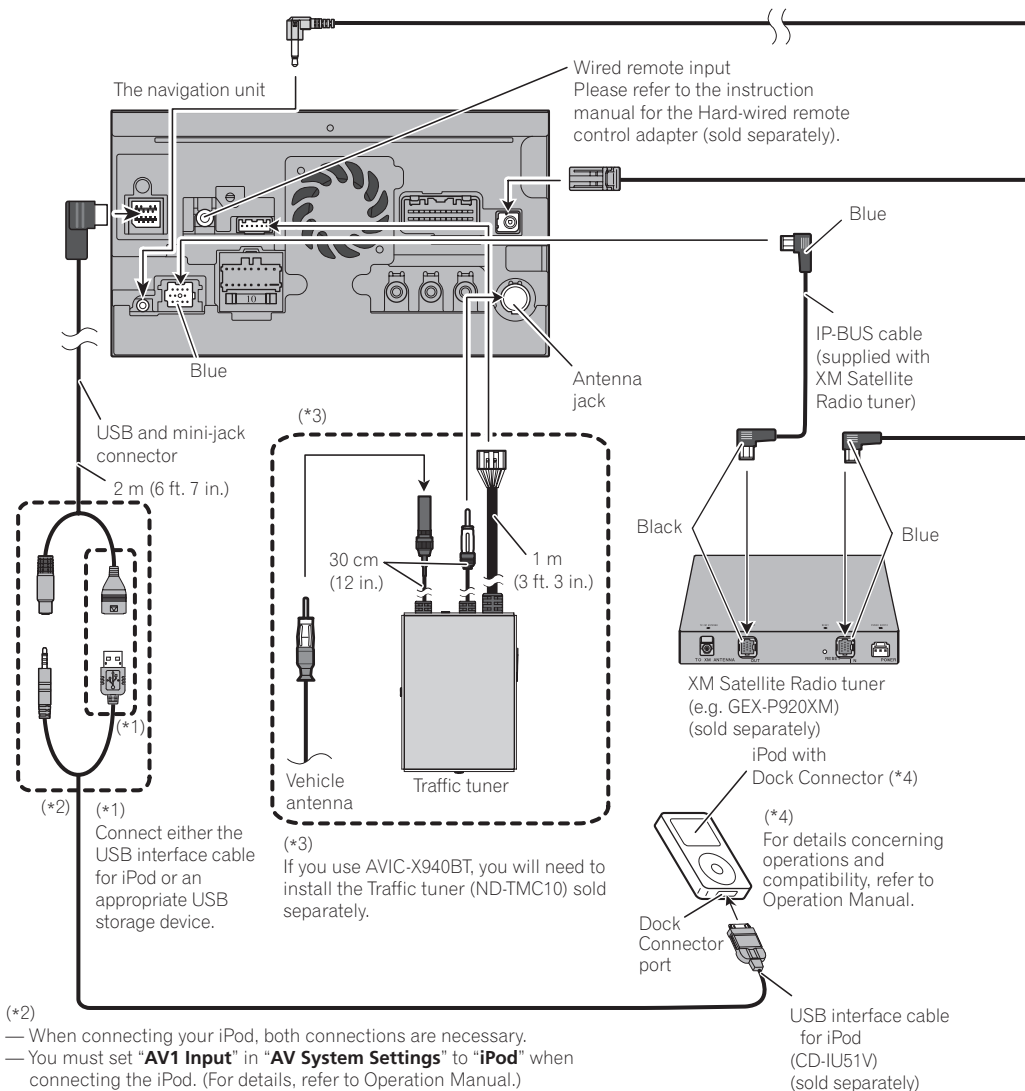


Microphone



# Connecting the system

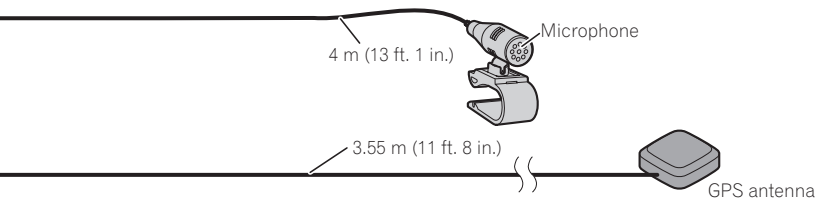
Connecting the system



(\*2)  
— When connecting your iPod, both connections are necessary.  
— You must set “AV1 Input” in “AV System Settings” to “iPod” when connecting the iPod. (For details, refer to Operation Manual.)

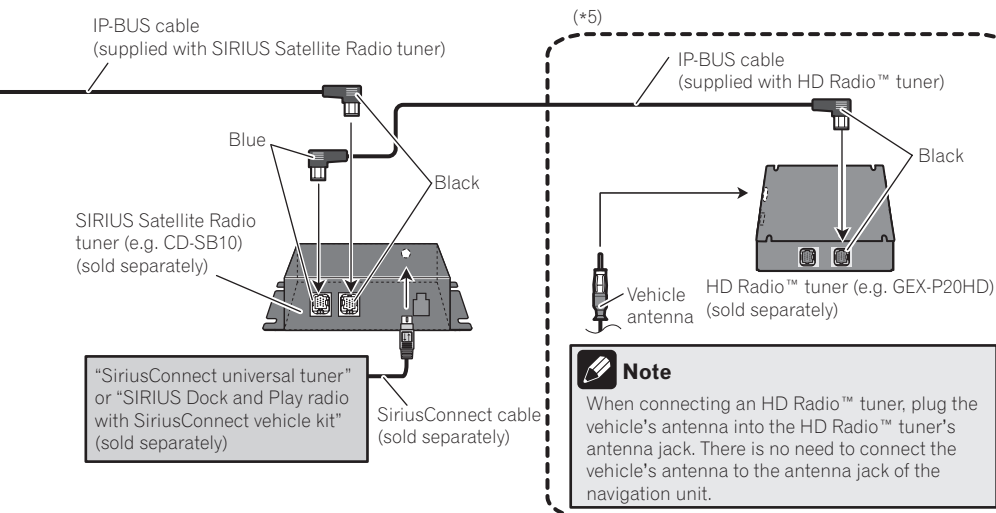


## Connecting the system



(\*5)

The AVIC-Z140BH is equipped with a built-in HD Radio™ tuner, which makes installation of an additional tuner unnecessary. However, if you use the AVIC-X940BT, you will need to install a HD Radio™ tuner.



### WARNING

- To avoid the risk of accident and the potential violation of applicable laws, this product should never be used while the vehicle is being driven except for navigation purposes. And, also rear displays should not be in a location where it is a visible distraction to the driver.
- In some countries, the viewing of images on a display inside a vehicle even by persons other than the driver may be illegal. Where such regulations apply they must be obeyed and this product's video source should not be used.



### Connecting the power cord (1)

**Yellow**

To terminal supplied with power regardless of ignition switch position.

**Red**

To electric terminal controlled by ignition switch (12 V DC) ON/OFF.

**Orange/white**

To lighting switch terminal.

**Black (ground)**

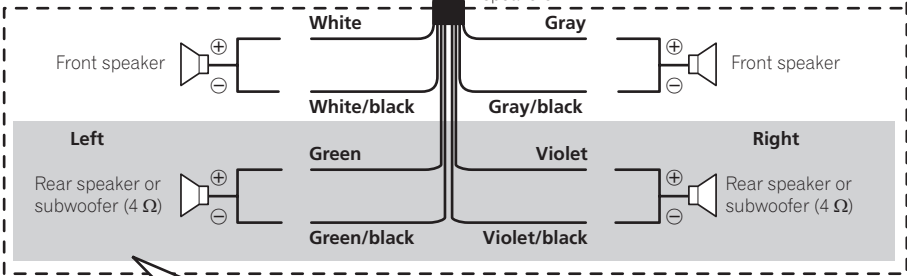
To vehicle (metal) body.



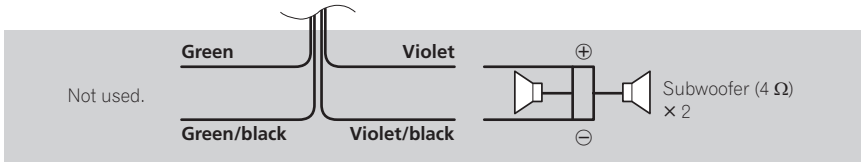
**Note**

When a subwoofer is connected to this navigation system instead of a rear speaker, change the rear output setting in the initial setting. (Refer to Operation Manual.) The subwoofer output of this navigation system is monaural.

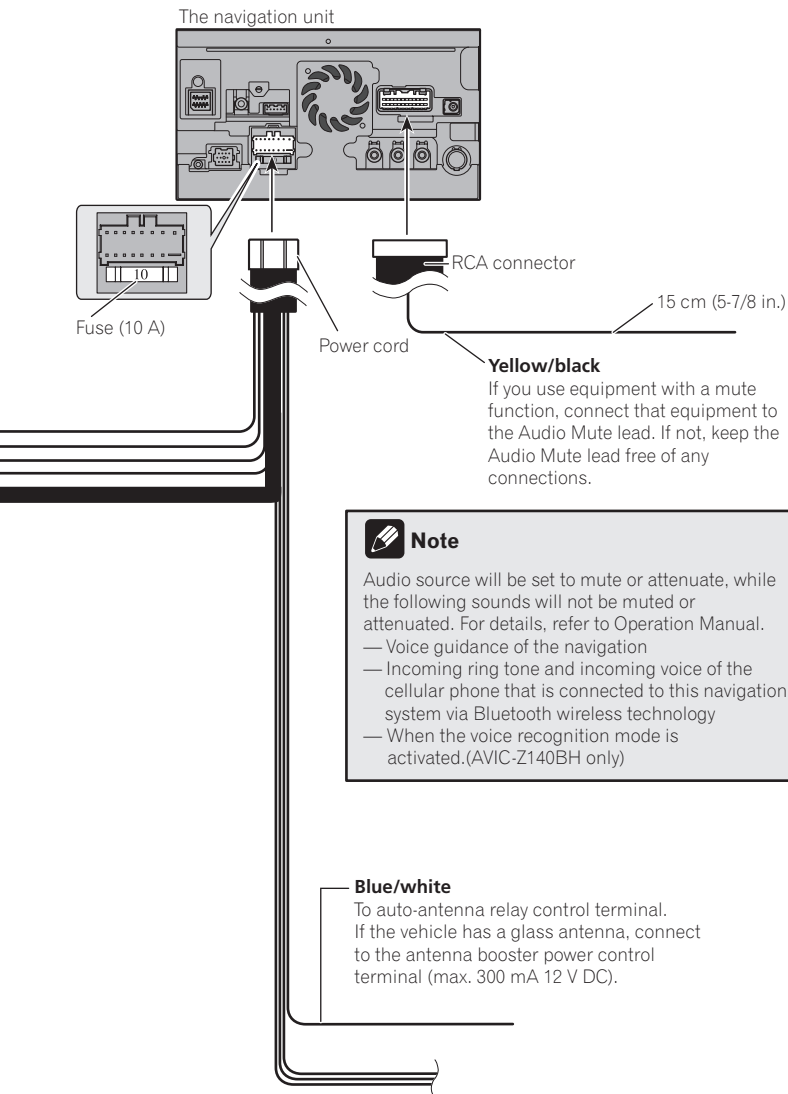
With a two-speaker system, do not connect anything to the speaker leads that are not connected to speakers.



When using a subwoofer of 70 W (2 Ω), be sure to connect with violet and violet/black leads of this navigation system. Do not connect anything with green and green/black leads.



# Connecting the system



## Connecting the power cord (2)

### Pink (CAR SPEED SIGNAL INPUT)

The navigation system is connected here to detect the distance the vehicle travels. Always connect the vehicle's speed detection circuit. Failure to make this connection will increase errors in the vehicle's location display.



### WARNING

**IMPROPER CONNECTION MAY RESULT IN SERIOUS DAMAGE OR INJURY INCLUDING ELECTRICAL SHOCK, AND INTERFERENCE WITH THE OPERATION OF THE VEHICLE'S ANTILOCK BRAKING SYSTEM, AUTOMATIC TRANSMISSION AND SPEEDOMETER INDICATION.**



### CAUTION

It is strongly suggested that the speed pulse wire be connected for accuracy of navigation and better performance.



### Note

The position of the speed detection circuit and the position of the parking brake switch vary depending on the vehicle model. For details, consult your authorized Pioneer dealer or an installation professional.

### Light green (PARKING BRAKE)

Used to detect the ON/OFF status of the parking brake. This lead must be connected to the power supply side of the parking brake switch.

**If this connection is made incorrectly or omitted, certain functions of your navigation system will be unusable.**



### WARNING

**LIGHT GREEN LEAD AT POWER CONNECTOR IS DESIGNED TO DETECT PARKED STATUS AND MUST BE CONNECTED TO THE POWER SUPPLY SIDE OF THE PARKING BRAKE SWITCH. IMPROPER CONNECTION OR USE OF THIS LEAD MAY VIOLATE APPLICABLE LAW AND MAY RESULT IN SERIOUS INJURY OR DAMAGE.**

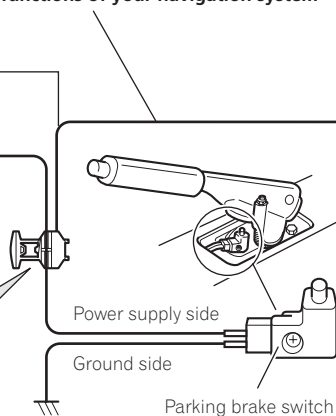
#### Connection method



Clamp the lead of the power supply side of the parking brake switch.

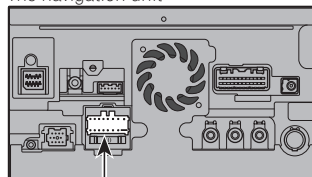


Clamp firmly with needle-nosed pliers.



## Connecting the system

The navigation unit



Power cord

### Violet/white (REVERSE GEAR SIGNAL INPUT)

This is connected so that the navigation system can detect whether the vehicle is moving forwards or backwards. Connect the violet/white lead to the lead whose voltage changes when the shift lever is put in reverse. Unless connected, the sensor may not detect your vehicle traveling forward/backward properly, and thus the position of your vehicle detected by the sensor may be misaligned from the actual position.

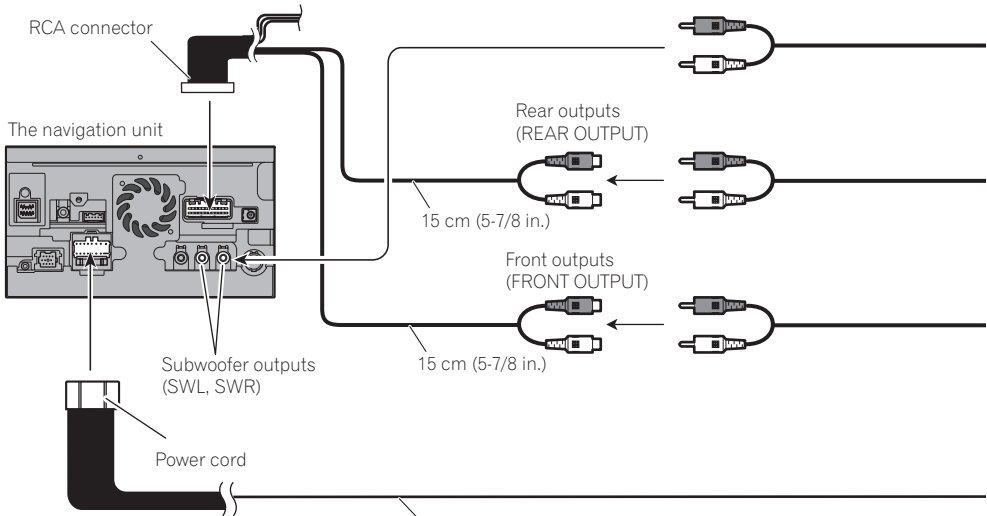


### Note

When you use a rear view camera, please make sure to connect this lead. Otherwise you cannot switch to the rear view camera picture.



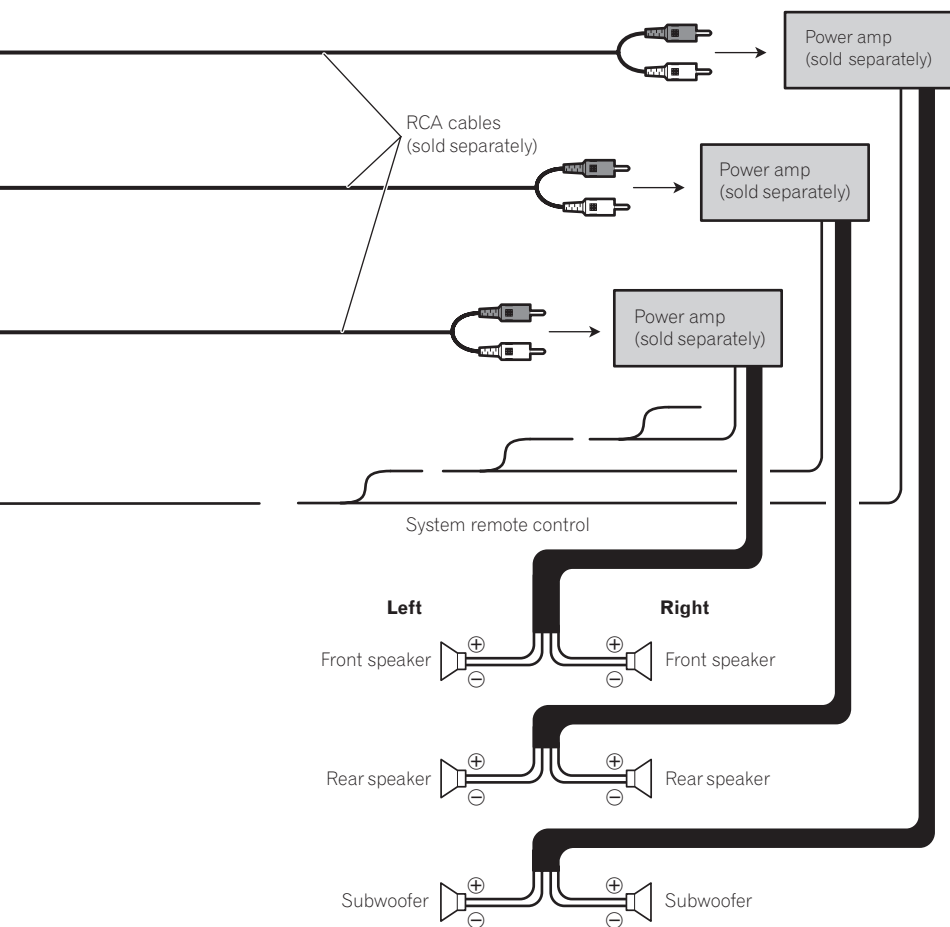
## When connecting to separately sold power amp



### Blue/white

To system control terminal of the power amp  
(max. 300 mA 12 V DC).

# Connecting the system



## Note

You can change the RCA output of the subwoofer depending on your subwoofer system. (Refer to Operation Manual.)

## When connecting a rear view camera

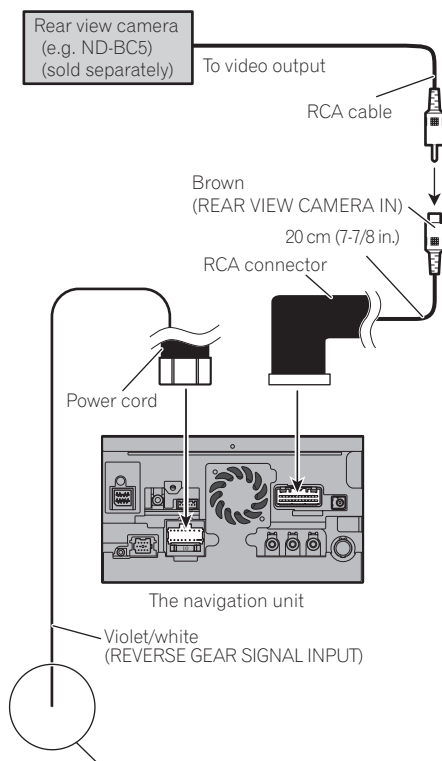
When this product is used with a rear view camera, it is possible to automatically switch from the video to rear view image when the shift lever is moved to **REVERSE (R)**. **Rear View** mode also allows you to check what is behind you while driving.

### ⚠ WARNING

USE INPUT ONLY FOR REVERSE OR MIRROR IMAGE REAR VIEW CAMERA. OTHER USE MAY RESULT IN INJURY OR DAMAGE.

### ⚠ CAUTION

- The screen image may appear reversed.
- The rear view camera is used as an aid to keep an eye on trailers, or backing into a tight parking spot. Do not use this function for entertainment purposes.
- Objects in rear view may appear closer or more distant than in reality.
- Please note that the image area shown by the rear view camera may differ slightly when full-screen images are displayed when backing and when checking the rear of the vehicle while moving forward.



For more details about the wiring, refer to *Connecting the power cord (2)* on page 12.

### ✎ Notes

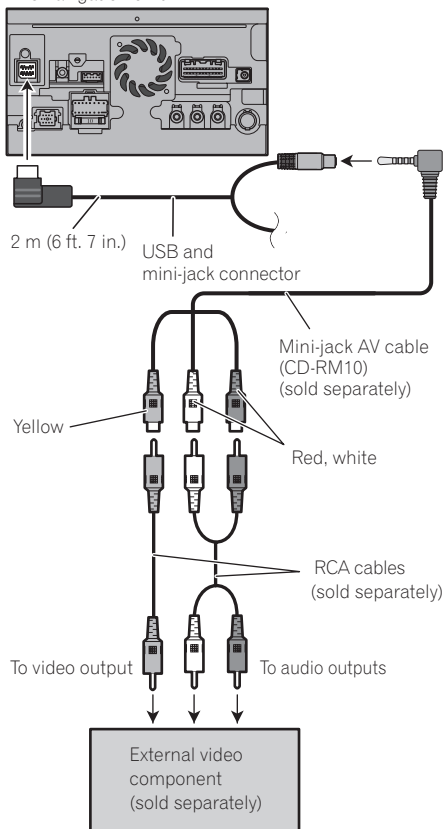
- This mode is available when the rear view camera setting is set to "On". (For details, refer to Operation Manual.)
- Connect the navigation system to the rear view camera only. Do not connect to any other equipment.



## Connecting the system

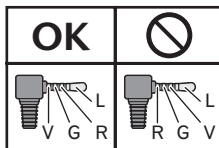
### When connecting the external video component Using an AV input (AV1)

The navigation unit



### ⚠ CAUTION

Be sure to use a mini-jack AV cable (CD-RM10) (sold separately) for wiring. If you use other cables, the wiring position might differ resulting in disturbed images and sounds.

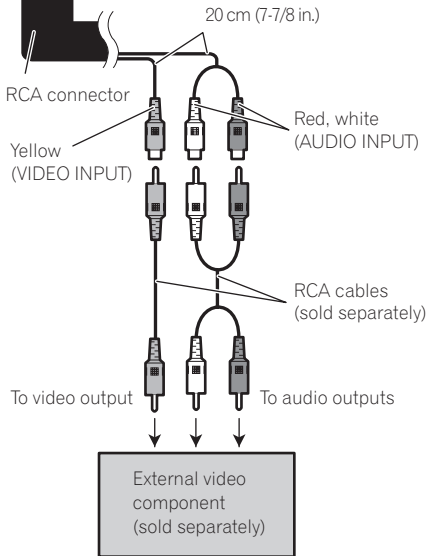
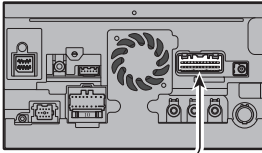


L : Left audio (White)  
R : Right audio (Red)  
V : Video (Yellow)  
G : Ground

- You must set **"AV1 Input"** in **"AV System Settings"** to **"Video"** when connecting the external video component. (For details, refer to Operation Manual.)

## Using an AV input (AV2)

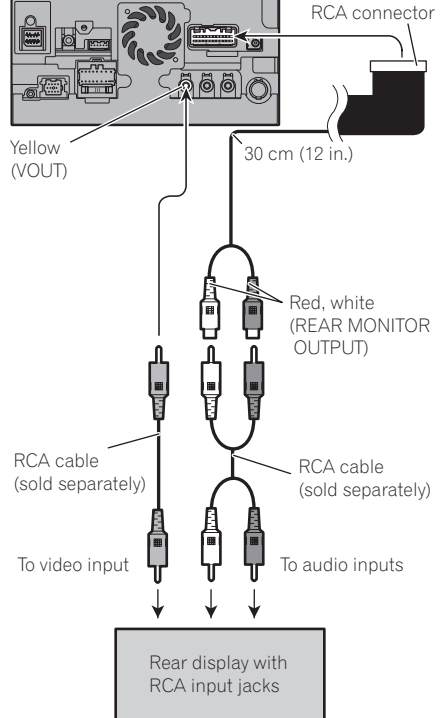
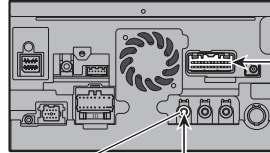
The navigation unit



- You must set **"AV2 Input"** in **"AV System Settings"** to **"Video"** when connecting the external video component. (For details, refer to Operation Manual.)

## When connecting the rear display

The navigation unit



## When using a rear display connected to rear video output

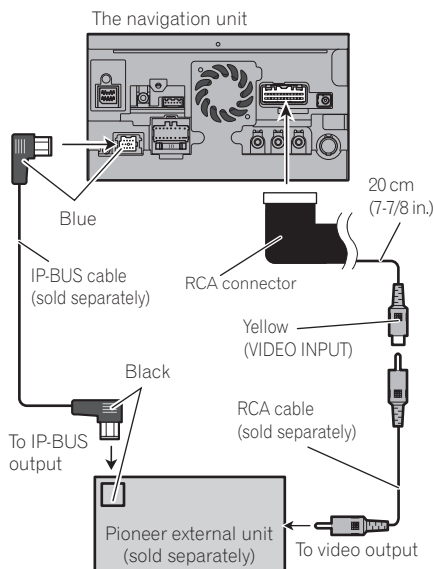
### ⚠ WARNING

**NEVER** install the rear display in a location that enables the driver to watch the video source while driving.

This navigation system's rear video output is for connection of a display to enable passengers in the rear seats to watch the video source.

## Connecting the system

### When connecting the external unit featuring video source



- You must set **"AV2 Input"** in **"AV System Settings"** to **"EXT"** when connecting the external unit. (For details, refer to Operation Manual.)

## Precautions before installation




### CAUTION

- Never install this product in places where, or in a manner that:
  - Could injure the driver or passengers if the vehicle stops suddenly.
  - May interfere with the driver's operation of the vehicle, such as on the floor in front of the driver's seat, or close to the steering wheel or shift lever.
- Make sure there is nothing behind the dashboard or paneling when drilling holes in them. Be careful not to damage fuel lines, brake lines, electronic components, communication wires or power cables.
- When using screws, do not allow them to come into contact with any electrical lead. Vibration may damage wires or insulation, leading to a short circuit or other damage to the vehicle.
- To ensure proper installation, be sure to use the supplied parts in the manner specified. If any parts are not supplied with this product, use compatible parts in the manner specified after you have the parts' compatibility checked by your dealer. If parts other than supplied or compatible ones are used, they may damage internal parts of this product or they may work loose and the product may become detached.
- It is extremely dangerous to allow cables to become wound around the steering column or shift lever. Be sure to install this product, its cables, and wiring away in such so that they will not obstruct or hinder driving.
- Make sure that leads cannot get caught in a door or the sliding mechanism of a seat, resulting in a short circuit.
- Please confirm the proper function of your vehicle's other equipment after installation of the navigation system.
- Do not install this navigation system where it may (i) obstruct the driver's vision, (ii) impair the performance of any of the vehicle's operating systems or safety features, including airbags, hazard lamp buttons or (iii) impair the driver's ability to safely operate the vehicle.
- Install the navigation system between the driver's seat and front passenger seat so that it will not be hit by the driver or passenger if the vehicle stops quickly.
- Never install the navigation system in front of or next to the place in the dashboard, door, or pillar from which one of your vehicle's airbags would deploy. Please refer to your vehicle's owner's manual for reference to the deployment area of the frontal airbags. 

## To avoid electromagnetic interference

In order to prevent interference, set the following items as far as possible from this navigation system, other cables or leads:

- FM, AM antenna and its lead
- GPS antenna and its lead


In addition, you should lay or route each antenna lead as far as possible from other antenna leads. Do not bind, lay or route them together, or cross them. Electromagnetic noise will increase the potential for errors in the vehicle's location display. 

## Before installing

- Consult with your nearest dealer if installation requires drilling holes or other modifications of the vehicle.
- Before making a final installation of this product, temporarily connect the wiring to confirm that the connections are correct and the system works properly.

## Installation

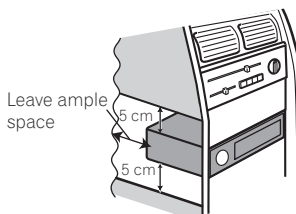
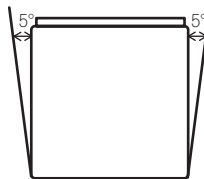
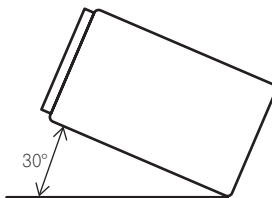
### For AVIC-Z140BH users

Do not install this navigation system in a position where the opening of the LCD panel is obstructed by any obstacles, such as the shift lever. Before installing this navigation system, be sure to leave sufficient space so that the LCD panel does not obstruct the shift lever when it is fully opened. This may cause interference with the shift lever, or a malfunction of the mechanism of this navigation system. 

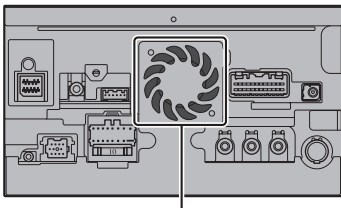
## Installing the navigation system

### Installation notes

- Do not install the navigation system in places subject to high temperatures or humidity, such as:
  - Places close to a heater, vent or air conditioner.
  - Places exposed to direct sunlight, such as on top of the dashboard.
  - Places that may be exposed to rain, such as close to the door or on the vehicle's floor.
- Install this navigation system in an area strong enough to bear its weight. Choose a position where this navigation system can be firmly installed, and install it securely. If this navigation system is not securely installed, the current location of the vehicle cannot be displayed correctly.
- Install the navigation unit horizontally on a surface within 0 to 30 degrees tolerance (within 5 degrees to the left or right). Improper installation of the unit with the surface tilted more than these tolerances increases the potential for errors in the vehicle's location display, and might otherwise cause reduced display performance.
- When installing, to ensure proper heat dispersal when using this unit, make sure you leave ample space behind the rear panel and wrap any loose cables so they are not blocking the vents.



- The cords must not cover the area shown in the figure below. This is necessary to allow the amps and navigation mechanism to dissipate heat.

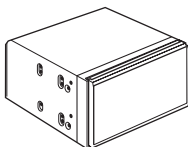


Do not cover this area.

- The semiconductor laser will be damaged if it overheats, so don't install the navigation unit anywhere hot — for instance, near a heater outlet.

## Parts supplied

Parts marked (\*) are supplied with AVIC-X940BT.



The navigation unit



Truss head screw  
(5 mm × 8 mm)  
(6 pcs.)



Flush surface screw  
(5 mm × 9 mm)  
(6 pcs.)



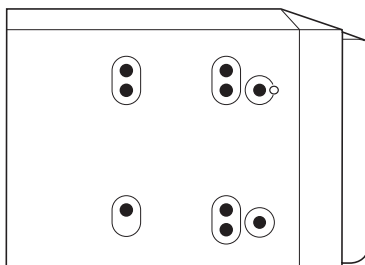
Screw\*  
(2 mm × 4 mm)  
(1 pc.)

## Installation using the screw holes on the side of the navigation unit

### ● Fastening the navigation unit to the factory radio-mounting bracket.

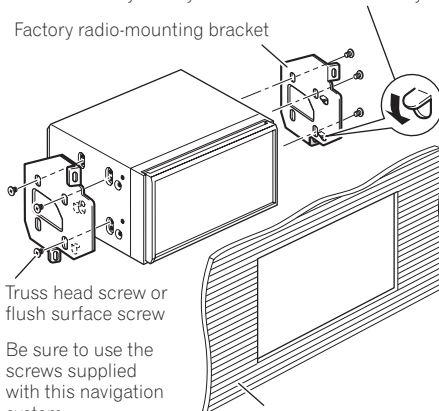
Position the navigation unit so that the brackets screw holes and its screw holes are aligned, and tighten the screws at three locations on each side.

Use either the truss head screws (5 mm × 8 mm) or flush surface screws (5 mm × 9 mm), depending on the shape of the bracket's screw holes.



If the pawl interferes with installation, you may bend it down out of the way.

Factory radio-mounting bracket



Truss head screw or flush surface screw

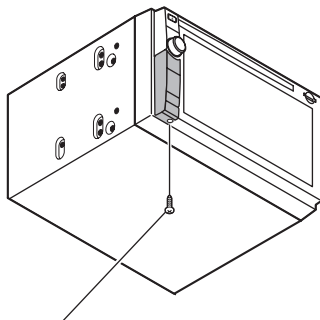
Be sure to use the screws supplied with this navigation system.

Dashboard or console

## Installation

### Fastening the detachable faceplate

□ This description is for AVIC-X940BT.  
If you do not plan to remove the detachable faceplate, the detachable faceplate can be fastened with the supplied screw.



Screw (2 mm x 4 mm)

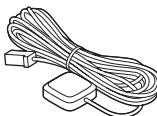


## Installing the GPS antenna

### **!** CAUTION

Do not cut the GPS antenna lead to shorten it or use an extension to make it longer. Altering the antenna cable could result in a short circuit or malfunction and permanent damage to the navigation system.

## Parts supplied



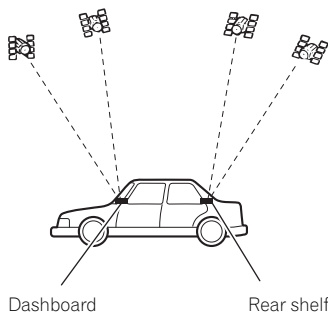
GPS antenna



Metal sheet

## Installation notes

- The antenna should be installed on a level surface where radio waves will be blocked as little as possible. Radio waves cannot be received by the antenna if reception from the satellite is blocked.



Dashboard

Rear shelf

- When installing the GPS antenna inside the vehicle, be sure to use the metal sheet provided with your system. If this is not used, the reception sensitivity will be poor.
- Do not cut the accessory metal sheet. This would reduce the sensitivity of the GPS antenna.
- Take care not to pull the antenna lead when removing the GPS antenna. The magnet attached to the antenna is very powerful, and the lead may become detached.
- Do not paint the GPS antenna, as this may affect its performance.



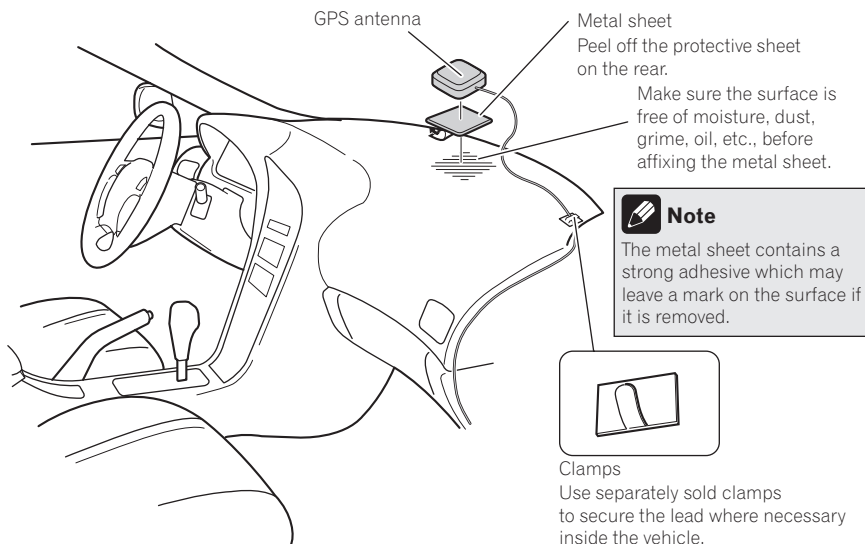
## Installation

### When installing the antenna inside the vehicle (on the dashboard or rear shelf)

#### **⚠ WARNING**

Do not install the GPS antenna over any sensors or vents on the dashboard of the vehicle, as doing so may interfere with the proper functioning of such sensors or vents and may compromise the ability of the metal sheet under the GPS antenna to properly and securely affix to the dashboard.

Affix the metal sheet on the surface as level as possible where the GPS antenna faces the window. Place the GPS antenna on the metal sheet. (The GPS antenna is fastened with its magnet.)



#### Notes

- When attaching the metal sheet, do not cut it into small pieces.
- Some models use window glass that does not allow signals from GPS satellites to pass through. On such models, install the GPS antenna on the outside of the vehicle.



## Installing the microphone

- Install the microphone in a place where its direction and distance from the driver make it easiest to pick up the driver's voice.
- Make sure to connect the microphone to the navigation system after the system is turned off (ACC OFF).

### Parts supplied



Microphone



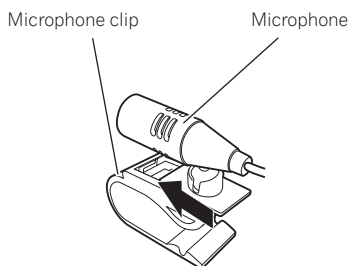
Microphone clip



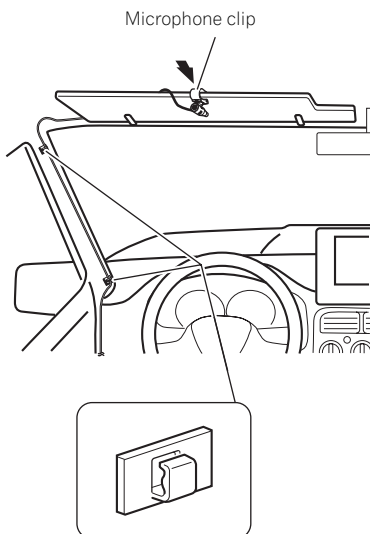
Double-sided tape

### Mounting on the sun visor

#### 1 Install the microphone in the microphone clip.



#### 2 Attach the microphone clip to the sun visor.



Clamps

Use separately sold clamps to secure the lead where necessary inside the vehicle.

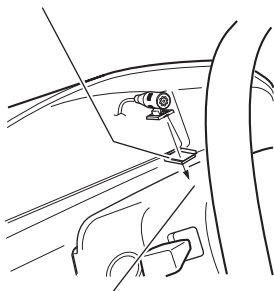
Install the microphone on the sun visor when it is in the up position. It cannot recognize the driver's voice if the sun visor is in the down position.

## Installation

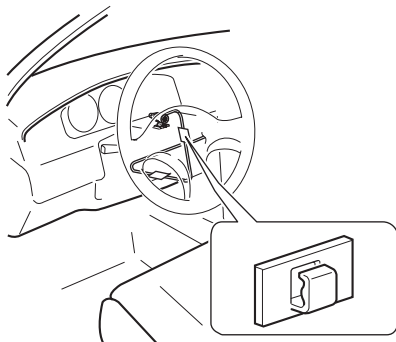
### Installation on the steering column

- Mount the microphone on the steering column.

Double-sided tape



Install the microphone on the steering column, keeping it away from the steering wheel.



Clamps

Use separately sold clamps to secure the lead where necessary inside the vehicle.

### Adjusting the microphone angle

The microphone angle can be adjusted.



## 01 Précautions

Votre nouveau système de navigation et ce manuel **29**

Importantes mesures de sécurité **29**

## 02 Branchement du système

Précautions à prendre avant de brancher le système **31**

Avant d'installer ce produit **31**

Pour éviter toute détérioration **31**

- Remarque concernant le fil bleu/blanc **32**

Pièces fournies **34**

- AVIC-Z140BH **34**
- AVIC-X940BT **34**

Branchement du système **36**

Branchement du cordon d'alimentation

(1) **38**

Branchement du cordon d'alimentation

(2) **40**

Branchement d'un amplificateur de puissance vendu séparément **42**

Branchement d'une caméra de rétrovisée **44**

Branchement d'un élément vidéo externe **45**

- Utilisation d'une entrée AV (AV1) **45**
- Utilisation d'une entrée AV (AV2) **46**

Branchement de l'écran arrière **46**

- Utilisation d'un écran arrière raccordé à la sortie vidéo arrière **46**

Branchement de l'appareil externe avec source vidéo **47**

## 03 Installation

Précautions à prendre avant l'installation **48**

Pour éviter les parasites électromagnétiques **48**

Avant de procéder à l'installation **49**

– Pour les utilisateurs AVIC-Z140BH **49**  
Installation du système de navigation **49**

– Remarques sur l'installation **49**

– Pièces fournies **50**

– Installation en utilisant les trous de vis sur les côtés de cette unité de navigation **50**

– Fixation de la façade amovible **51**

Installation de l'antenne GPS **52**

– Remarques sur l'installation **52**

– Pièces fournies **52**

– Installation de l'antenne dans le véhicule (sur le tableau de bord ou la lunette arrière) **53**

Installation du microphone **54**

– Pièces fournies **54**

– Installation sur le pare-soleil **54**

– Installation sur la colonne de direction **55**

– Réglage de l'angle du microphone **56**

## Précautions

### Votre nouveau système de navigation et ce manuel

- La fonction de navigation de ce produit (et la caméra de rétrovisée en option le cas échéant) est uniquement destinée à vous assister lors de la conduite de votre véhicule. Elle n'autorise en aucun cas un relâchement de votre attention, de votre jugement et de votre vigilance pendant la conduite.
- N'utilisez jamais ce système de navigation en cas d'urgence pour vous rendre à l'hôpital ou dans une station de police. Veuillez le cas échéant appeler le numéro d'urgence du service concerné.
- N'utilisez pas ce système de navigation (ou la caméra de rétrovisée en option le cas échéant) si celui-ci risque d'une façon ou d'une autre de détourner votre attention. Observez toujours les règles de sécurité et respectez toujours les réglementations de la circulation routière en vigueur. Si vous éprouvez des difficultés à utiliser le système ou à lire l'écran, garez votre véhicule en lieu sûr et serrez le frein à main avant d'effectuer les réglages nécessaires.
- Ce manuel explique comment installer le système de navigation dans votre véhicule. Le fonctionnement du système de navigation est expliqué dans les manuels séparés du système de navigation.
- N'installez pas ce produit dans un endroit où il risque (i) d'entraver la visibilité du conducteur, (ii) d'altérer le fonctionnement de certains systèmes de commande des dispositifs de sécurité du véhicule, y compris les airbags ou les touches de feux de détresse, ou (iii) d'empêcher le conducteur de conduire le véhicule en toute sécurité. Dans certains cas, il peut ne pas être possible d'installer ce produit en raison du type de véhicule ou de la forme de l'intérieur du véhicule. ■

### Importantes mesures de sécurité



#### AVERTISSEMENT

**Pioneer vous déconseille d'installer vous-même votre système de navigation. Nous vous recommandons de confier l'installation uniquement à un personnel de service Pioneer agréé, qui a été spécialement formé et est expérimenté en matière de systèmes électroniques mobiles, de montage et d'installation de ce type de produit. NE TENTEZ JAMAIS D'EFFECTUER VOUS-MÊME L'ENTRETIEN OU DE DÉPANNER CE SYSTÈME DE NAVIGATION. L'installation ou l'entretien de ce produit et des câbles de raccordement vous expose à des décharges électriques ou autres dangers, et risque de provoquer des détériorations du système de navigation non couvertes par la garantie.**

- Lisez attentivement le contenu de ce manuel avant d'installer votre système de navigation.
- Conservez ce manuel à portée de main pour vous y reporter ultérieurement.
- Tenez compte de tous les avertissements formulés dans ce manuel et respectez soigneusement les consignes.
- Dans certaines circonstances, ce système de navigation peut afficher des informations erronées sur la position de votre véhicule, la distance des objets affichés à l'écran et les directions de la boussole. En outre, le système comporte certaines limitations, notamment l'incapacité de signaler les rues à sens unique, les restrictions temporaires à la circulation et les zones où la circulation peut devenir dangereuse. Veuillez vous en remettre à votre bon jugement en fonction des conditions réelles de conduite.

## Précautions

- Comme tout autre accessoire de l'habitacle, le système de navigation ne doit pas détourner votre attention ni nuire à la sécurité de la conduite. Si vous éprouvez des difficultés à utiliser le système ou à lire l'écran, effectuez les réglages nécessaires après vous être garé dans un endroit sûr.
- Veillez à toujours porter votre ceinture de sécurité sur la route. En cas d'accident, le port de la ceinture peut réduire considérablement la gravité des blessures.
- Certaines lois nationales ou gouvernementales peuvent interdire ou restreindre l'emplacement et l'utilisation de ce système dans votre véhicule. Veuillez vous conformer à toutes les lois et réglementations en vigueur concernant l'utilisation, l'installation et le fonctionnement de votre système de navigation. ■

## Branchement du système

### Précautions à prendre avant de brancher le système

#### ⚠ ATTENTION

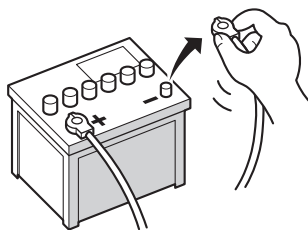
- Si vous décidez de réaliser l'installation vous-même, et possédez une expérience spéciale en installation d'électronique automobile, veuillez suivre attentivement toutes les étapes du manuel d'installation.
- Attachez tous les fils avec des colliers ou des serre-câbles. Ne laissez aucun fil à nu.
- Ne raccordez pas directement le fil jaune conducteur de ce produit à la batterie du véhicule. Si ce fil conducteur est directement raccordé à la batterie, les vibrations du moteur peuvent finir par user les câbles au niveau de la jonction avec l'habitacle et provoquer un défaut d'isolation. Si l'isolation du fil conducteur jaune se déchire sous l'effet du contact avec des pièces métalliques, il peut en résulter un court-circuit extrêmement dangereux.
- Il est extrêmement dangereux de laisser les câbles s'enrouler autour de la colonne de direction ou du levier de vitesse. Assurez-vous d'installer ce produit, ses câbles et les fils de telle façon qu'ils n'obstruent ni ne gênent la conduite.
- Veillez à ce que la trajectoire des câbles et des fils n'interfère pas avec les pièces en mouvement du véhicule. Fixez les câbles de manière à les empêcher d'être happés par, notamment, le volant, le levier de vitesse, le frein à main, les glissières de siège, les portes, ou tout autre élément de commande du véhicule.
- La trajectoire des fils ne doit pas être exposée à des températures élevées. Si l'isolation chauffe, les fils risquent d'être endommagés, ce qui peut entraîner un court-circuit ou un dysfonctionnement, et endommager de manière irrémédiable le produit.
- Ne coupez pas le câble de l'antenne GPS et n'utilisez pas de rallonge. Une telle mo-

dification pourrait provoquer un court-circuit ou un dysfonctionnement.

- Ne raccourcissez aucun fil conducteur. Vous risqueriez autrement de provoquer un dysfonctionnement du circuit de protection (porte-fusibles, résistance de fusible ou filtre, etc.).
- N'utilisez jamais le cordon d'alimentation du système d'alimentation pour raccorder d'autres appareils électriques. La capacité du cordon serait dépassée, ce qui provoquerait une surchauffe. ▣

### Avant d'installer ce produit

- Utilisez cet appareil uniquement avec une batterie de 12 V, avec pôle négatif à la masse. Sinon, cela pourrait entraîner un incendie ou un mauvais fonctionnement.
- Afin d'éviter tout risque de court-circuit, débranchez le câble de la borne négative (-) de la batterie avant de commencer la pose. ▣



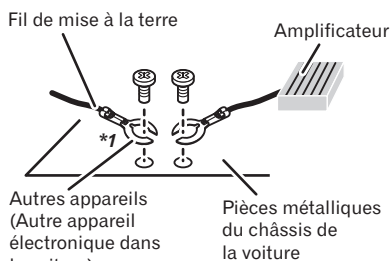
### Pour éviter toute détérioration

#### ⚠ AVERTISSEMENT

- Utilisez des haut-parleurs de plus de 50 W (valeur de sortie) et avec une impédance comprise entre 4 Ω et 8 Ω. N'utilisez pas de haut-parleurs 1 Ω à 3 Ω avec cet appareil.

## Branchement du système

- **Le câble noir est celui de la mise à la terre. Lors de l'installation de cette unité ou de l'amplificateur (vendu séparément), connectez toujours le fil de mise à la terre en premier. Assurez-vous que le fil de mise à la terre est correctement connecté aux pièces métalliques du châssis de la voiture. Le fil de mise à la terre de l'amplificateur et celui de cette unité ou de tout autre appareil doivent être connectés séparément à la voiture avec des vis différentes. Si les vis du fil de mise à la terre sont desserrées ou tombent, il pourrait en résulter un incendie ou un dysfonctionnement.**



*\*1 Non fourni avec cette unité.*

- **Lors du remplacement du fusible, veuillez à utiliser seulement un fusible du calibre indiqué sur ce produit.**
  - Pour débrancher un connecteur, tirez le connecteur proprement dit et non son fil pour éviter de l'arracher.
  - Ce produit ne peut pas être installé dans un véhicule qui ne possède pas de position ACC (accessoire) sur le commutateur d'allumage.



Position ACC



Pas de position ACC

- Pour éviter les courts-circuits, recouvrez les fils déconnectés de ruban isolant. Il est particulièrement important d'isoler tous les fils conducteurs de haut-parleurs non utilisés pour éviter tout risque de court-circuit.
- Raccordez les connecteurs de même couleur au port de couleur correspondant, c'est-à-dire le connecteur bleu au port bleu, le noir au noir, etc.
- Pour raccorder l'amplificateur de puissance à d'autres unités, veuillez vous reporter au mode d'emploi concerné.
- Un circuit BPTL unique étant employé, ne reliez pas directement l'extrémité du fil conducteur de haut-parleur  $\ominus$  ou ne reliez pas les extrémités des fils conducteurs de haut-parleur  $\ominus$  ensemble. Veillez à relier l'extrémité  $\ominus$  du fil conducteur de haut-parleur à l'extrémité  $\ominus$  du fil conducteur de haut-parleur de ce système de navigation.
- Si la fiche femelle RCA de ce produit n'est pas utilisée, ne retirez pas les capuchons fixés à l'extrémité du connecteur.

### Remarque concernant le fil bleu/blanc

- Lorsque le commutateur d'allumage est sur Marche (ACC ON), un signal de commande est émis par le biais du fil bleu/blanc. Raccordez-le à une borne de commande à distance du système d'amplificateur de puissance externe, à la prise de commande de relais de l'antenne automatique du véhicule ou au terminal de commande d'alimentation de l'amplificateur d'antenne (max. 300 mA 12 V CC). Le signal de commande est émis par le biais du fil bleu/blanc, même si la source audio est désactivée.
- Assurez-vous de ne pas utiliser ce fil comme câble d'alimentation pour les amplificateurs de puissance externes. Une telle connexion pourrait causer un appel de courant excessif et un mauvais fonctionnement.

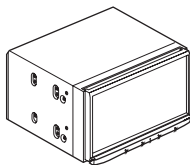


## Branchement du système

- Assurez-vous de ne pas utiliser ce fil comme câble d'alimentation pour l'antenne automatique ou l'amplificateur d'antenne. Une telle connexion pourrait causer un appel de courant excessif et un mauvais fonctionnement. ▣

## Pièces fournies

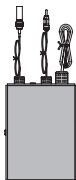
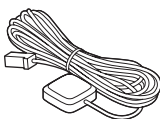
## AVIC-Z140BH



Unité de navigation



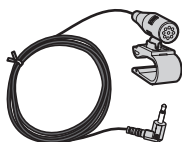
Cordon d'alimentation

syntonisateur avec  
fonction trafic

Antenne GPS

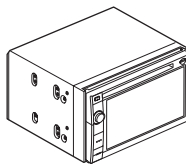
Connecteur USB et  
mini-jack

Connecteur RCA



Microphone

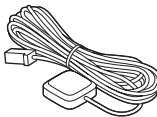
## AVIC-X940BT



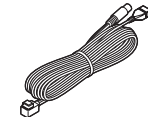
Unité de navigation



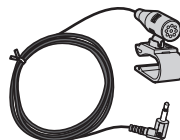
Cordon d'alimentation



Antenne GPS

Connecteur USB et  
mini-jack

Connecteur RCA

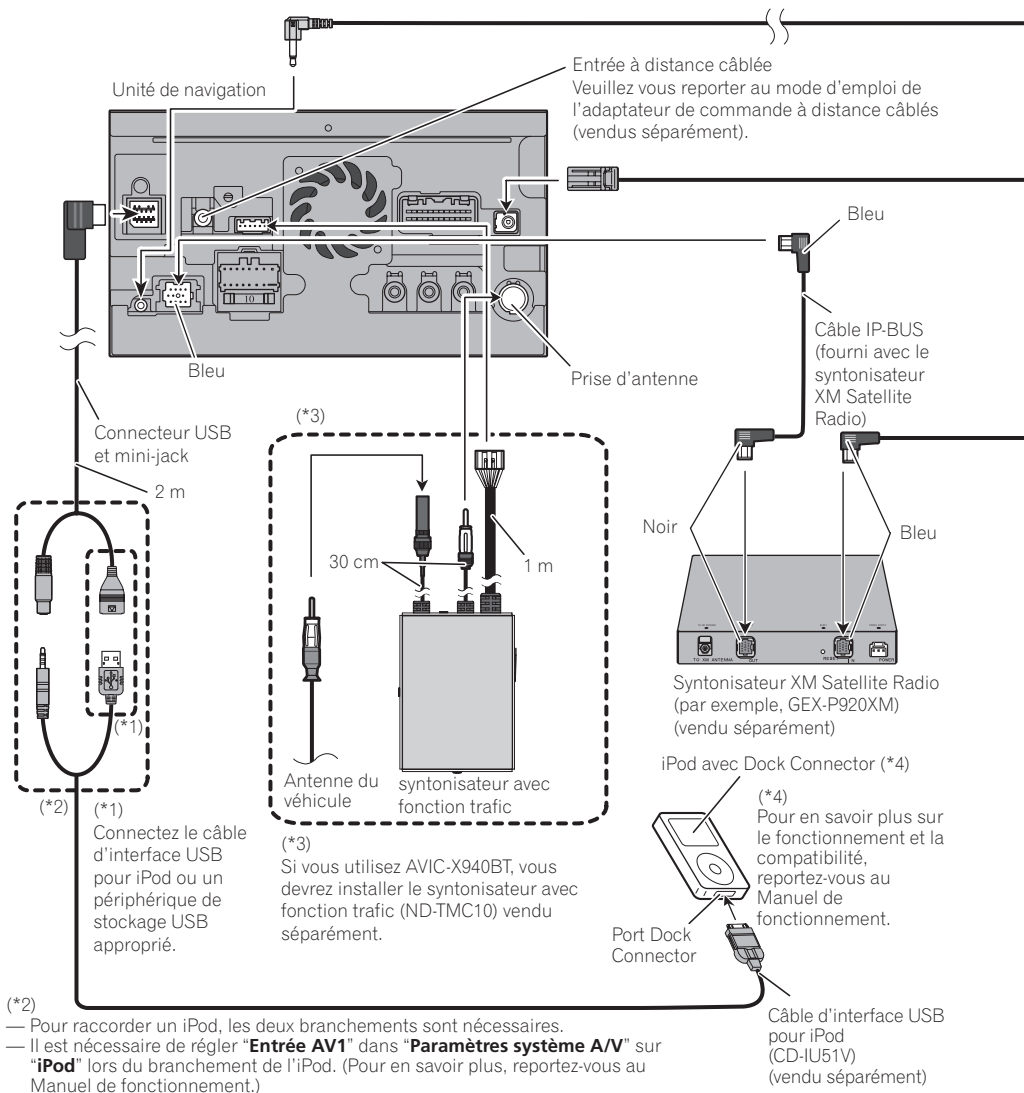


Microphone

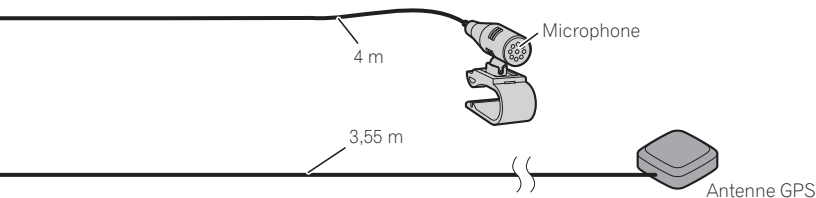


# Branchement du système

## Branchement du système

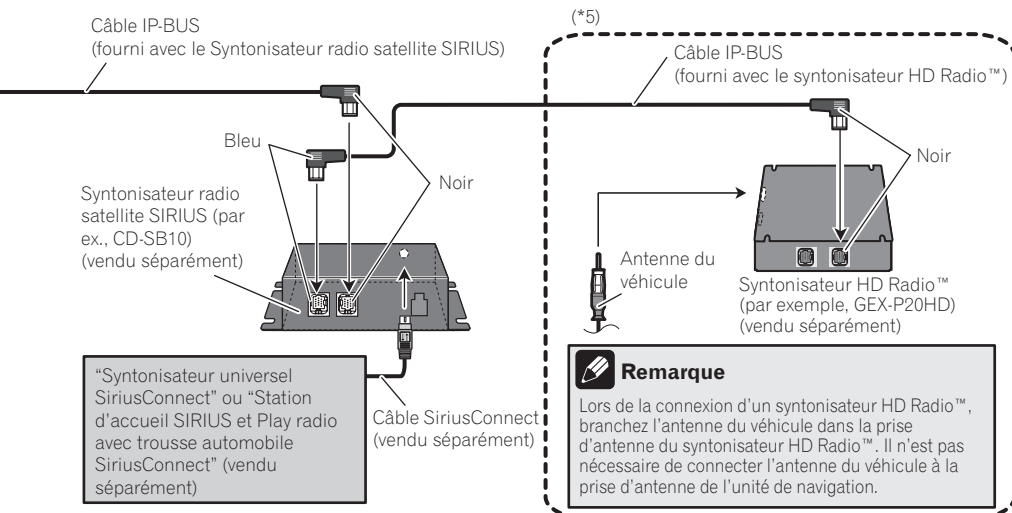


# Branchement du système



(\*5)

Le AVIC-Z140BH est équipé d'un syntonisateur HD Radio™ intégré, rendant inutile l'installation d'un syntonisateur supplémentaire. Toutefois, si vous utilisez le AVIC-X940BT, vous devrez installer un syntonisateur HD Radio™.



## AVERTISSEMENT

- Pour éviter le risque d'un accident et une possible infraction aux lois en vigueur, ce produit ne doit en aucun cas être utilisé alors que le véhicule roule sauf à des fins de navigation. Par ailleurs, les écrans arrière ne doivent pas être placés là où ils pourraient représenter une distraction pour le conducteur.
- Dans certains pays, le fait de regarder des images sur un afficheur dans une voiture est illégal, même s'il s'agit d'autres personnes que le conducteur. Lorsqu'il existe de telles règles, vous devez vous y conformer et la source vidéo de ce produit ne doit pas être utilisée.



## Branchement du cordon d'alimentation (1)

**Jaune**

Vers la borne alimentée en électricité indépendamment de la position du contacteur d'allumage.

**Rouge**

Vers la borne électrique contrôlée par le contacteur d'allumage (12 V CC) ON/OFF.

**Orange/blanc**

Vers la borne de permutation de l'éclairage.

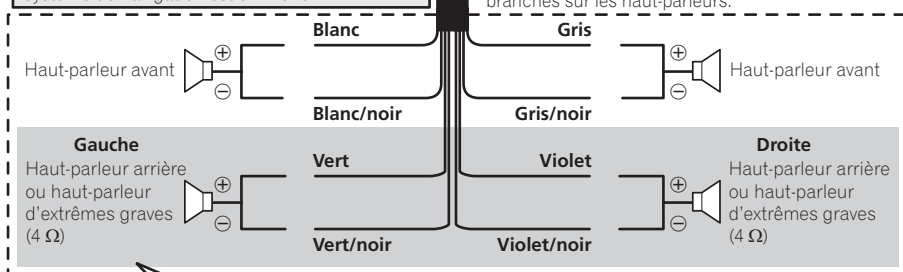
**Noir (terre)**

Vers le châssis du véhicule (métallique).

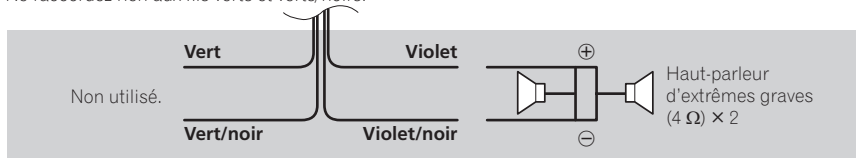
**Remarque**

Lorsqu'un haut-parleur d'extrêmes graves est raccordé à ce système de navigation à la place d'un haut-parleur arrière, changez le réglage de sortie arrière dans les réglages initiaux. (Reportez-vous au Manuel de fonctionnement). La sortie du haut-parleur d'extrêmes graves de ce système de navigation est en mono.

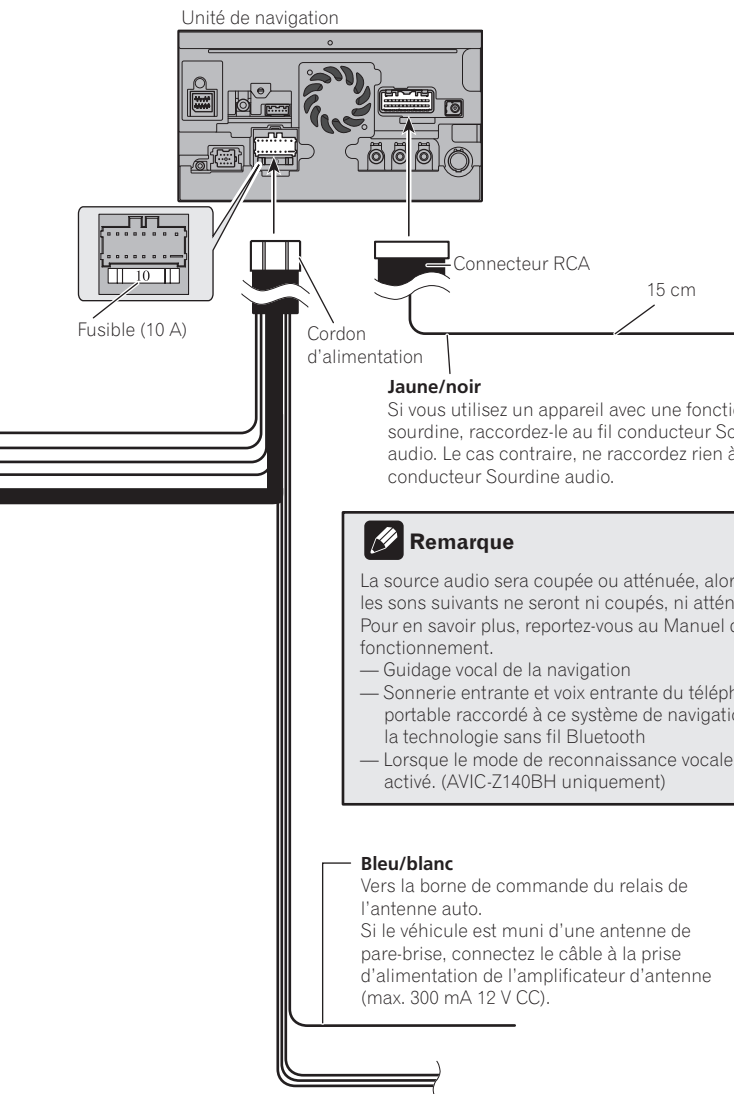
Avec un système à deux haut-parleurs, ne connectez rien aux fils conducteurs du haut-parleur non branchés sur les haut-parleurs.



Lorsque vous utilisez un haut-parleur d'extrêmes graves de 70 W (2 Ω), veillez à raccorder les fils violets et violets/noirs de ce système de navigation. Ne raccordez rien aux fils verts et verts/noirs.



# Branchement du système



## Branchement du cordon d'alimentation (2)

### Rose (CAR SPEED SIGNAL INPUT)

Le système de navigation est branché ici pour détecter la distance parcourue par le véhicule. Raccordez toujours le circuit de détection de vitesse du véhicule sous peine d'augmenter les erreurs d'affichage de l'emplacement du véhicule.



### AVERTISSEMENT

**UN RACCORDEMENT INCORRECT PEUT ÊTRE À L'ORIGINE DE DÉGÂT OU BLESSURE GRAVE, NOTAMMENT UNE ÉLECTROCUTION ET UNE INTERFÉRENCE AVEC LE FONCTIONNEMENT DU SYSTÈME DE FREINAGE ANTIBLOQUAGE DU VÉHICULE, DE LA TRANSMISSION AUTOMATIQUE ET DE L'AFFICHAGE DU COMPTEUR DE VITESSE.**



### ATTENTION

Il est vivement recommandé de raccorder le câble d'impulsion de vitesse pour une navigation précise et de meilleures performances.



### Remarque

La position du circuit de détection de vitesse et la position du contacteur de frein à main varient selon le modèle du véhicule. Pour plus de détails, contactez votre revendeur Pioneer agréé ou un installateur professionnel.

### Vert clair (PARKING BRAKE)

Utilisé pour détecter le statut ON/OFF du frein à main. Ce fil conducteur doit être raccordé au côté alimentation électrique du contacteur de frein à main.

**Si ce raccordement est mal exécuté ou omis, certaines fonctions de votre système de navigation ne seront pas utilisables.**



### AVERTISSEMENT

**LE FIL VERT CLAIR DU CONNECTEUR D'ALIMENTATION EST CONÇU POUR DÉTECTER L'ÉTAT DE STATIONNEMENT ET DOIT ÊTRE BRANCHÉ CÔTÉ ALIMENTATION ÉLECTRIQUE DU CONTACTEUR DE FREIN À MAIN. UNE CONNEXION OU UNE UTILISATION INAPPROPRIÉE DE CE FIL PEUT ÊTRE ILLÉGALE À L'ÉGARD DE LA LOI EN VIGUEUR ET RISQUE D'ENTRAÎNER DES BLESSURES SÉRIEUSES OU DES DOMMAGES.**

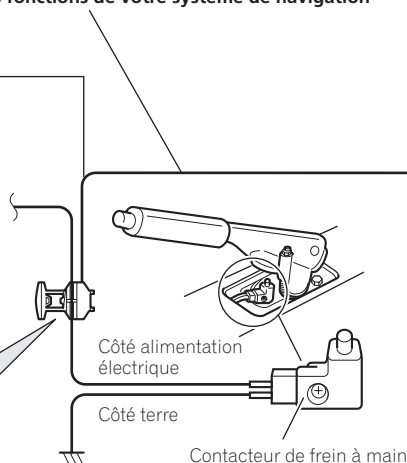
#### Méthode de raccordement



Fixez le fil du côté alimentation électrique du contacteur de frein à main.



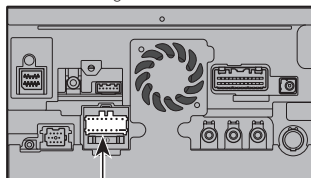
Fixez solidement les pinces à bec fin.





# Branchement du système

Unité de navigation



Cordon d'alimentation

## Violet/blanc (REVERSE GEAR SIGNAL INPUT)

Ceci est raccordé pour que le système de navigation puisse détecter si le véhicule avance ou recule. Raccordez le fil conducteur violet/blanc au fil dont la tension change lorsque le levier de vitesses est placé en marche arrière. Sans ce raccordement, le capteur risque de ne pas pouvoir détecter correctement le déplacement en marche avant/arrière de votre véhicule, et par conséquent la position de votre véhicule telle qu'elle est détectée par le capteur risque de ne pas être alignée sur votre position réelle.

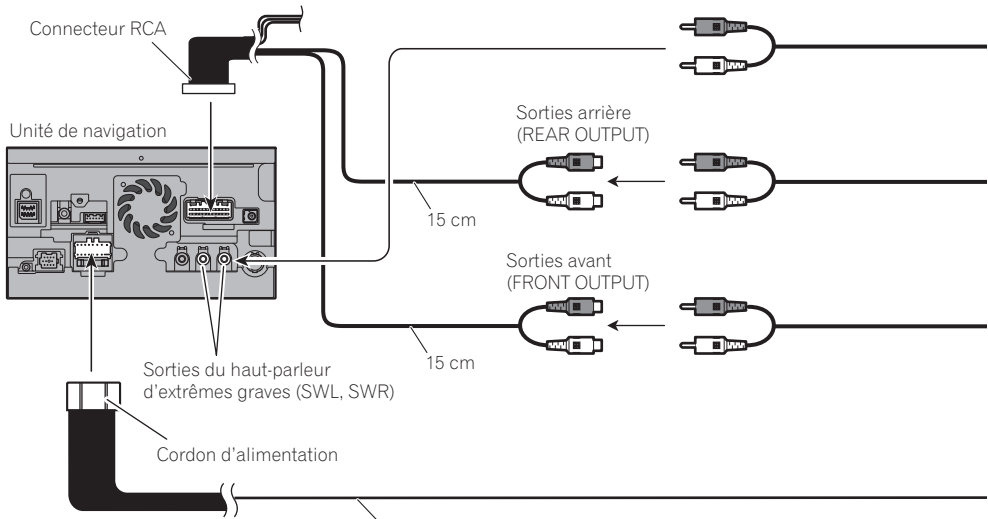


### Remarque

Lorsque vous utilisez une caméra de rétrovisée, veillez à raccorder ce fil sous peine de ne pas pouvoir afficher l'image de la caméra de rétrovisée.



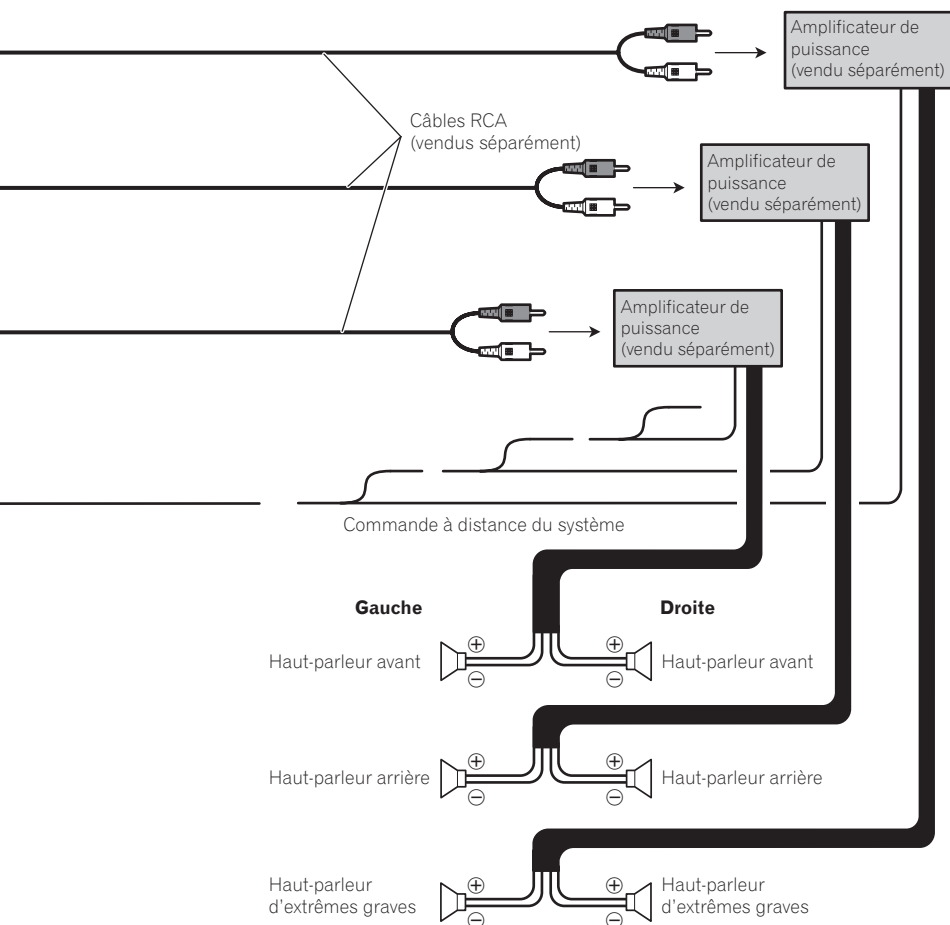
## Branchement d'un amplificateur de puissance vendu séparément



### Bleu/blanc

A la borne de commande d'ensemble de l'amplificateur de puissance (max. 300 mA 12 V CC).

# Branchement du système



## Remarque

Vous pouvez changer la sortie RCA du haut-parleur d'extrêmes graves en fonction de votre système de haut-parleur d'extrêmes graves. (Reportez-vous au Manuel de fonctionnement.)

## Branchement d'une caméra de rétrovisée

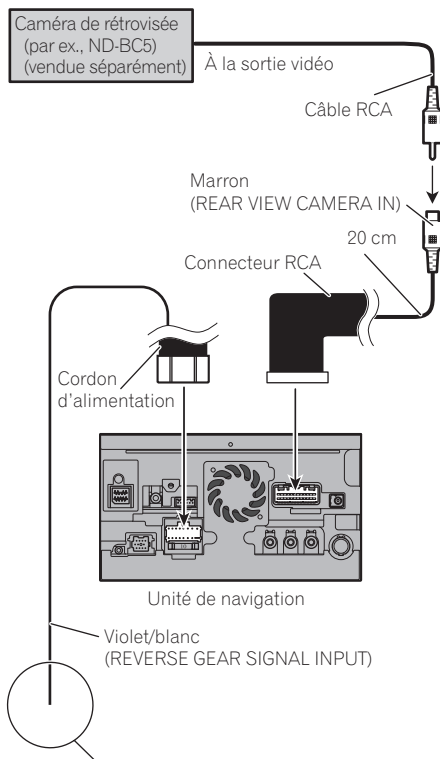
Quand ce produit est utilisé avec une caméra de rétrovisée, il est possible de commuter automatiquement entre le signal vidéo et l'image de rétrovisée quand le levier de vitesse est placé sur la position **REVERSE (R)**. Le mode **Vue Arrière** vous permet également de vérifier ce qu'il y a derrière le véhicule quand vous conduisez.

### ⚠ AVERTISSEMENT

UTILISEZ L'ENTRÉE UNIQUEMENT POUR LA MARCHÉ ARRIÈRE OU L'IMAGE INVERSÉE DE LA CAMÉRA DE RÉTROVISÉE. TOUTE AUTRE UTILISATION PEUT ENTRAÎNER DES BLESSURES CORPORELLES OU UNE DÉTÉRIORATION DE L'APPAREIL.

### ⚠ ATTENTION

- L'image de l'écran peut apparaître inversée.
- La caméra de rétrovisée est à utiliser en tant qu'aide pour surveiller une caravane, ou pour se garer en marche arrière dans un emplacement de parking un peu étroit. N'utilisez pas cette fonction dans un but de divertissement.
- Les objets dans la caméra de rétrovisée peuvent paraître plus proches ou plus éloignés qu'en réalité.
- Veuillez noter que la zone de l'image affichée par la caméra de rétrovisée peut légèrement différer selon que les images plein écran sont affichées en marche arrière, ou que vous vérifiez ce qui se passe à l'arrière du véhicule en marche avant.



Pour en savoir plus à propos des raccordements, reportez-vous à la page 40, *Branchement du cordon d'alimentation (2)*.

### ✎ Remarques

- Ce mode est disponible lorsque le réglage de la caméra de rétrovisée est placé sur "Act". (Pour en savoir plus, reportez-vous au Manuel de fonctionnement.)
- Ne branchez que le système de navigation sur la caméra de rétrovisée. N'y raccordez aucun autre appareil.

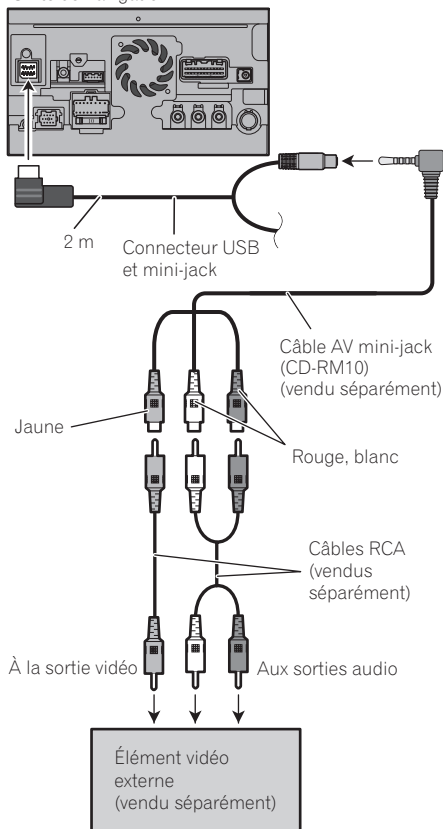


## Branchement du système

### Branchement d'un élément vidéo externe

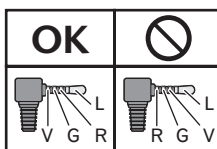
#### Utilisation d'une entrée AV (AV1)

Unité de navigation



#### ⚠ ATTENTION

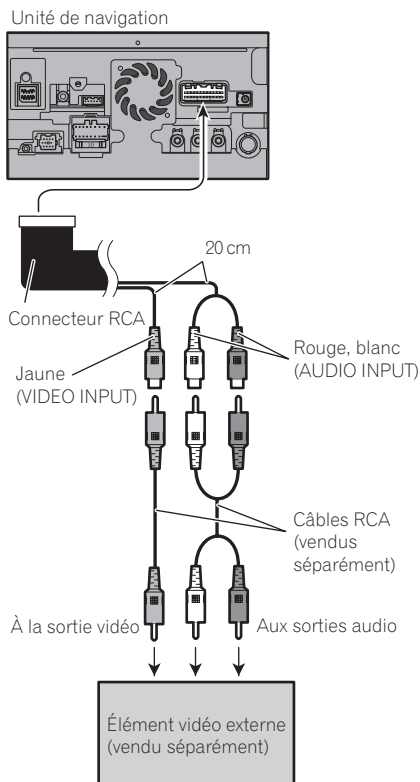
Veillez à utiliser un câble AV mini-jack (CD-RM10) (vendu séparément) pour le raccordement. Si vous utilisez un autre type de câble, la position du raccordement pourrait différer, entraînant une déformation du son et des images.



L : Audio gauche (Blanc)  
R : Audio droite (Rouge)  
V : Vidéo (Jaune)  
G : Masse

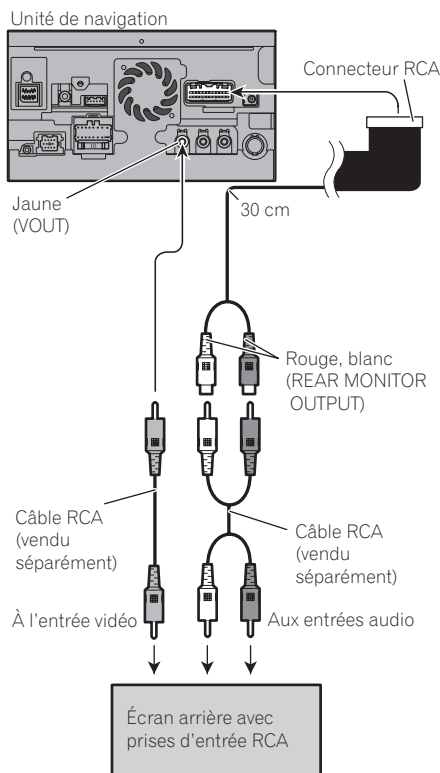
- Il est nécessaire de régler **"Entrée AV1"** dans **"Paramètres système A/V"** sur **"Vidéo"** lors du branchement de l'élément vidéo externe. (Pour en savoir plus, reportez-vous au Manuel de fonctionnement.)

## Utilisation d'une entrée AV (AV2)



- Il est nécessaire de régler "Entrée AV2" dans "Paramètres système A/V" sur "Vidéo" lors du branchement de l'élément vidéo externe. (Pour en savoir plus, reportez-vous au Manuel de fonctionnement.)

## Branchement de l'écran arrière



## Utilisation d'un écran arrière raccordé à la sortie vidéo arrière

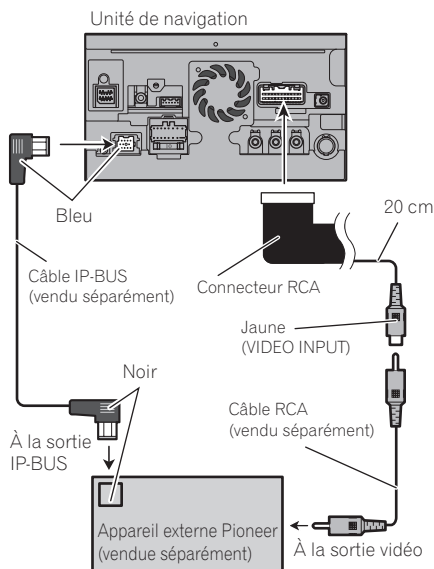
**⚠ AVERTISSEMENT**

**NE JAMAIS installer l'écran arrière dans un endroit permettant au conducteur de regarder la source vidéo en conduisant.**

La sortie vidéo arrière de ce système de navigation est destinée au branchement d'un écran permettant aux passagers des sièges arrière de regarder la source vidéo. ▣

## Branchement du système

### Branchement de l'appareil externe avec source vidéo



- Il est nécessaire de régler "**Entrée AV2**" dans "**Paramètres système A/V**" sur "**EXT**" lors du branchement de l'appareil externe. (Pour en savoir plus, reportez-vous au Manuel de fonctionnement.)

## Précautions à prendre avant l'installation



### ATTENTION

- **Ne jamais installer ce produit dans un endroit ou de telle sorte qu'il :**
  - risque de blesser le conducteur ou les passagers en cas d'arrêt brusque.
  - puisse interférer avec les commandes de manœuvre du conducteur tel que sur le plancher, en face du siège conducteur, ou à proximité du volant ou du levier de vitesse.
- **Assurez-vous que rien ne se trouve derrière le tableau de bord ou une cloison avant d'y percer des trous. Veillez à ne pas endommager les tubulures de carburant et de frein, les composants électroniques, les câbles de communication ou d'alimentation.**
- **Si vous utilisez des vis, veillez à ce qu'elles n'entrent pas en contact avec un fil conducteur électrique. Les vibrations peuvent endommager les fils ou l'isolation, en entraînant un court-circuit ou d'autres dommages sur le véhicule.**
- **Pour garantir une installation correcte, assurez-vous d'utiliser les pièces fournies de la façon spécifiée. Si certaines pièces ne sont pas fournies avec cet appareil, utilisez des pièces compatibles de la façon spécifiée après avoir fait vérifier la compatibilité par votre revendeur. Si d'autres pièces que les pièces fournies ou compatibles sont utilisées, elles peuvent endommager les pièces internes de ce produit ou être mal assujetties, et le produit peut se détacher.**
- **Il est extrêmement dangereux de laisser les câbles s'enrouler autour de la colonne de direction ou du levier de vitesse. Assurez-vous d'installer ce produit, ses câbles et les fils de telle façon qu'ils n'obstruent ni ne gênent la conduite.**
- **Assurez-vous qu'aucun fil conducteur ne puisse se coincer dans une porte ou le mé-**

canisme de coulissement d'un siège, car ceci pourrait provoquer un court-circuit.

- **Vérifiez le bon fonctionnement des autres équipements du véhicule après l'installation du système de navigation.**
- **N'installez pas ce système de navigation dans un endroit où il risque (i) d'entraver la visibilité du conducteur, (ii) d'altérer le fonctionnement de certains systèmes de commande ou dispositifs de sécurité du véhicule, y compris les airbags ou les touches de feux de détresse, ou (iii) d'empêcher le conducteur de conduire le véhicule en toute sécurité.**
- **Installez le système de navigation entre le siège conducteur et le siège passager avant afin qu'il ne puisse pas être percuté par le conducteur ou le passager avant en cas de freinage brusque.**
- **N'installez jamais le système de navigation devant ou à côté d'un endroit sur le tableau de bord, une portière ou un pilier, à partir duquel un des airbags du véhicule doit se déployer. Veuillez vous reporter au mode d'emploi du véhicule pour en savoir plus sur les zones de déploiement des airbags frontaux.** ■

## Pour éviter les parasites électromagnétiques

Pour éviter toute interférence, placez les éléments suivants le plus loin possible de ce système de navigation, d'autres câbles ou de fils conducteurs :

- Antenne FM, AM et son fil conducteur
- Antenne GPS et son fil conducteur

De plus, vous devez placer ou acheminer le fil d'antenne aussi loin que possible des autres fils d'antenne. Ne les attachez, ne les placez ou ne les acheminez pas ensemble, ni ne les croisez. Le bruit électromagnétique augmentera les risques d'erreurs d'affichage de l'emplacement du véhicule. ■



## Installation

### Avant de procéder à l'installation

- Consultez le concessionnaire le plus proche si l'installation nécessite de percer des trous ou toute autre modification du véhicule.
- Avant d'installer ce produit définitivement, connectez le câblage provisoirement pour vous assurer que les connexions sont correctes et que le système fonctionne normalement.

### Pour les utilisateurs AVIC-Z140BH

N'installez pas ce système de navigation dans un endroit où l'ouverture du panneau LCD risque d'être entravée par des obstacles, tels que le levier de vitesse. Lors de la fixation de ce système de navigation, veillez à laisser un espace suffisant de manière que le panneau LCD ne touche pas le levier de vitesse quand il est ouvert au maximum. Un espace insuffisant pourrait donner lieu à des interférences avec le levier de vitesse, ou à un dysfonctionnement du mécanisme de ce système de navigation. □

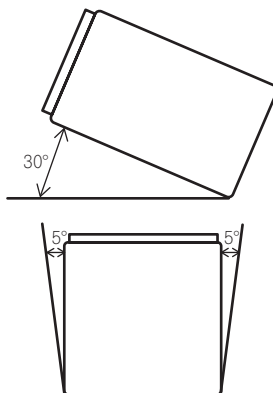
## Installation du système de navigation

### Remarques sur l'installation

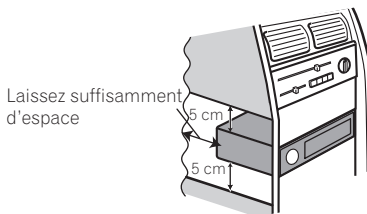
- N'installez pas le système de navigation dans un endroit soumis à des températures élevées ou à l'humidité. Par exemple :
  - À proximité du chauffage, de la ventilation ou de la climatisation.
  - En plein soleil, comme sur le dessus du tableau de bord.
  - Endroits susceptibles d'être exposés à la pluie, près de la portière ou sur le plancher du véhicule par exemple.
- Installez ce système de navigation dans une zone suffisamment solide pour supporter son poids. Choisissez un endroit où le

système de navigation puisse être fixé de manière sûre et installez-le solidement. Une mauvaise fixation du système de navigation peut entraîner un dysfonctionnement de la localisation du véhicule.

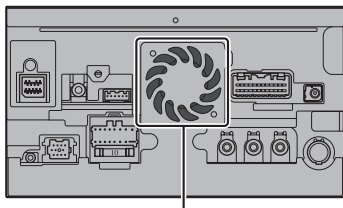
- Installez l'unité de navigation horizontalement sur une surface avec une tolérance de 0 à 30 degrés (dans une plage de 5 degrés vers la gauche ou la droite). Une mauvaise installation de l'unité avec une inclinaison de la surface supérieure à cette marge de tolérance risque d'accroître le potentiel d'erreurs dans l'affichage de l'emplacement, et de réduire les performances d'affichage.



- Lors de l'installation de l'appareil, laissez suffisamment d'espace derrière le panneau arrière pour permettre une dissipation correcte de la chaleur et enrroulez tout câble gênant de façon qu'il n'obstrue pas les orifices de ventilation.



- Les câbles ne doivent pas traverser la zone indiquée dans la figure ci-dessous, afin que la chaleur dégagée par les amplificateurs et le mécanisme de navigation puisse se dissiper librement.

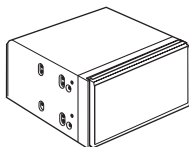


Ne pas couvrir cette zone.

- Une surchauffe peut provoquer la détérioration de la diode laser. Évitez donc d'installer l'unité de navigation à proximité d'une source de chaleur, une bouche d'air par exemple.

## Pièces fournies

Les pièces marquées d'un astérisque (\*) sont fournis avec AVIC-X940BT.



Unité de navigation



Vis à tête bombée  
(5 mm × 8 mm)  
(6 pièces)



Vis à tête plate  
(5 mm × 9 mm)  
(6 pièces)



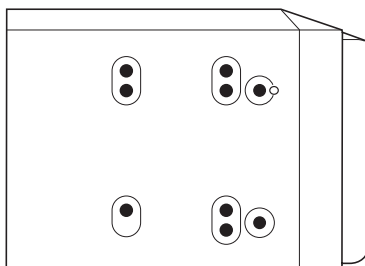
Vis\*  
(2 mm × 4 mm)  
(1 pièce)

## Installation en utilisant les trous de vis sur les côtés de cette unité de navigation

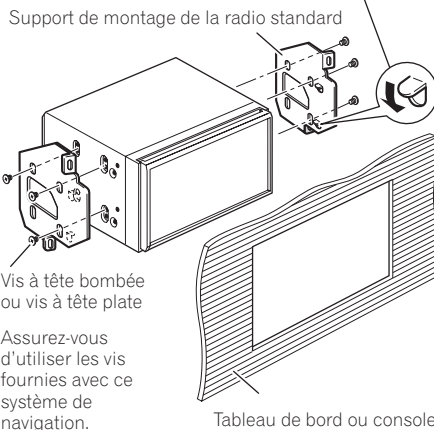
- Fixation de l'unité de navigation dans le tiroir de l'autoradio.**

Positionnez l'unité de navigation de manière à ce que les trous de vis des consoles soient alignés avec ses trous de vis, et serrez trois vis de chaque côté.

Utilisez les vis à tête bombée (5 mm × 8 mm) ou les vis à tête plate (5 mm × 9 mm), en fonction de la forme des trous de vis du support.



Si le cliquet gêne l'installation, vous pouvez le replier pour le dégager.



Support de montage de la radio standard

Vis à tête bombée  
ou vis à tête plate

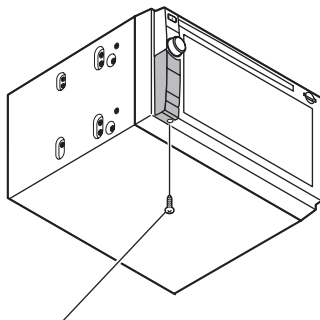
Assurez-vous d'utiliser les vis fournies avec ce système de navigation.

Tableau de bord ou console

## Installation

### Fixation de la façade amovible

□ Cette description concerne le AVIC-X940BT.  
Si vous n'avez pas l'intention de retirer la façade amovible, vous pouvez la fixer en place avec la vis fournie.



Vis (2 mm x 4 mm)

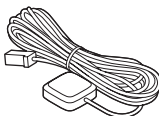


## Installation de l'antenne GPS

### ⚠ ATTENTION

Ne coupez pas le fil d'antenne GPS pour le raccourcir et n'utilisez pas d'extension pour le rallonger. Le fait d'intervenir sur le câble d'antenne risque d'entraîner un court-circuit ou un dysfonctionnement et d'endommager de manière irréversible le système de navigation.

## Pièces fournies



Antenne GPS



Plaque métallique

## Remarques sur l'installation

- L'antenne doit être installée sur une surface plane bien réceptive aux ondes radio. Les ondes radio ne peuvent pas être captées correctement par l'antenne si la réception des satellites est gênée.

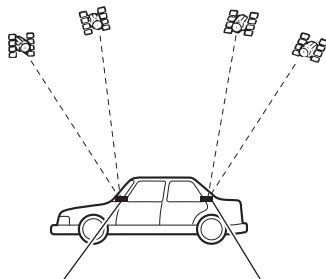


Tableau de bord

Lunette arrière

- Si vous installez l'antenne GPS à l'intérieur du véhicule, utilisez la plaque métallique fournie avec le système. La sensibilité de réception sera faible si elle n'est pas utilisée.
- Ne coupez pas la plaque métallique, car la sensibilité de l'antenne GPS en serait réduite.
- Ne tirez pas le fil pour retirer l'antenne GPS. Celle-ci est fixée à l'aide d'un aimant très puissant. Vous risqueriez d'arracher le fil.
- Aucune peinture ne doit être appliquée sur l'antenne GPS afin de ne pas réduire ses performances.

## Installation

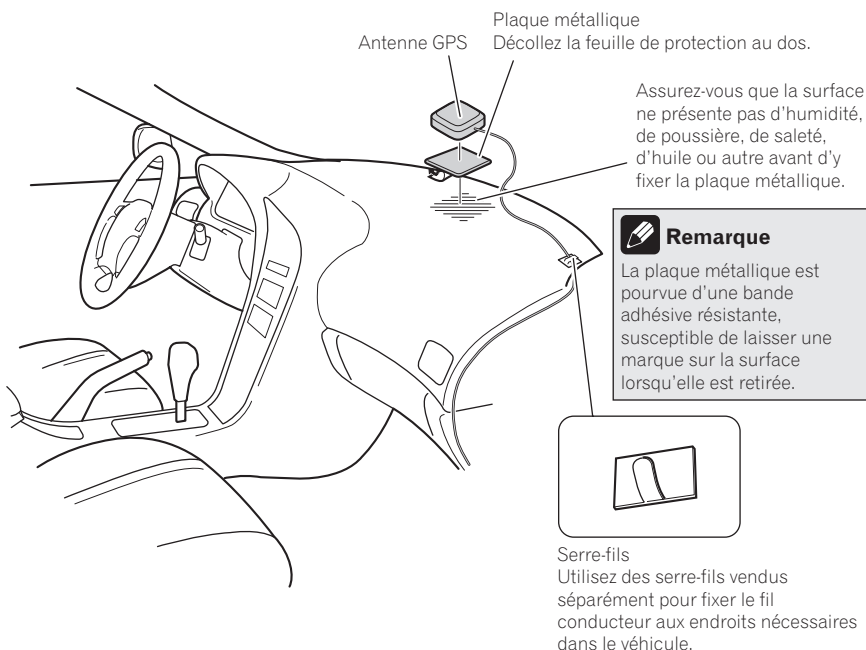
### Installation de l'antenne dans le véhicule (sur le tableau de bord ou la lunette arrière)



#### AVERTISSEMENT

N'installez pas l'antenne GPS par dessus un capteur ou une bouche d'air du tableau de bord du véhicule, car cela pourrait perturber le fonctionnement normal du capteur ou de la bouche d'air et compromettre la capacité de la plaque métallique sous l'antenne GPS d'assurer une fixation correcte et sûre sur le tableau de bord.

Fixez la plaque métallique sur une surface aussi plate que possible située de manière à ce que l'antenne GPS soit orientée vers une vitre. Posez l'antenne GPS sur la plaque métallique. (L'antenne GPS est immobilisée par son propre aimant.)





### Remarques

- Lors de la fixation de la plaque métallique, ne la coupez pas en petits morceaux.
- Les vitres de certains modèles de véhicules ne laissent pas passer les signaux des satellites GPS. Dans ce cas, installez l'antenne GPS à l'extérieur du véhicule.



## Installation du microphone

- Installez le microphone dans un endroit permettant une bonne réception de la voix du conducteur.
- Éteignez le système de navigation (ACC OFF) avant de connecter le microphone.

## Pièces fournies



Microphone



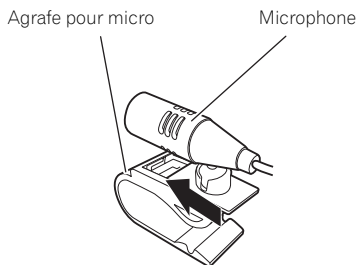
Agrafe pour micro



Bande adhésive à double face

## Installation sur le pare-soleil

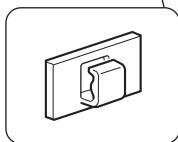
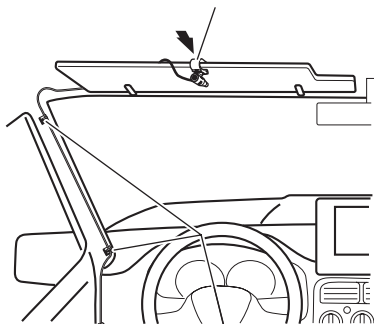
### 1 Installez le microphone dans l'agrafe pour micro.



# Installation

## 2 Fixez l'agrafe pour micro au pare-soleil.

Agrafe pour micro



Serre-fils

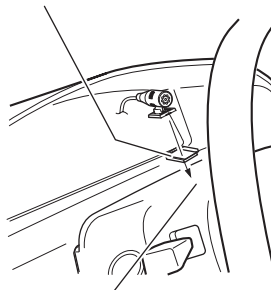
Utilisez des serre-fils vendus séparément pour fixer le fil conducteur aux endroits nécessaires dans le véhicule.

Installez le microphone sur le pare-soleil lorsqu'il est en position relevée. La reconnaissance vocale est impossible lorsque le pare-soleil est en position abaissée.

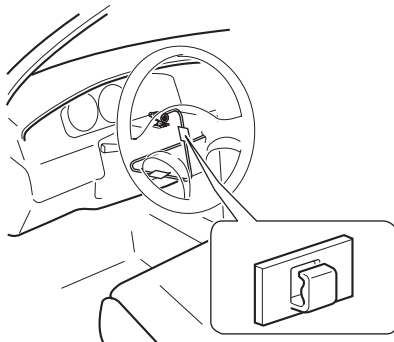
## Installation sur la colonne de direction

- Montez le microphone sur la colonne de direction.

Bande adhésive à double face



Installez le microphone sur la colonne de direction, à distance du volant.

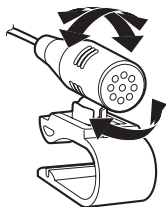


Serre-fils

Utilisez des serre-fils vendus séparément pour fixer le fil conducteur aux endroits nécessaires dans le véhicule.

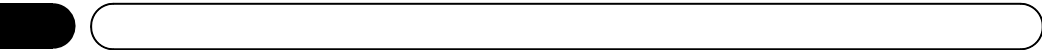
## Réglage de l'angle du microphone

L'angle du microphone peut être ajusté.











**PIONEER CORPORATION**

1-1, Shin-ogura, Saiwai-ku, Kawasaki-shi,  
Kanagawa 212-0031, JAPAN

**PIONEER ELECTRONICS (USA) INC.**

P.O. Box 1540, Long Beach, California 90801-1540, U.S.A.  
TEL: (800) 421-1404

**PIONEER EUROPE NV**

Haven 1087, Keetberglaan 1, B-9120 Melsele, Belgium/Belgique  
TEL: (0) 3/570.05.11

**PIONEER ELECTRONICS ASIACENTRE PTE. LTD.**

253 Alexandra Road, #04-01, Singapore 159936  
TEL: 65-6472-7555

**PIONEER ELECTRONICS AUSTRALIA PTY. LTD.**

5 Arco Lane, Heatherton, Victoria, 3202, Australia  
TEL: (03) 9586-6300

**PIONEER ELECTRONICS OF CANADA, INC.**

340 Ferrier Street, Unit 2, Markham, Ontario L3R 2Z5, Canada  
TEL: 1-877-283-5901  
TEL: 905-479-4411

**PIONEER ELECTRONICS DE MEXICO, S.A. de C.V.**

Bldv.Manuel Avila Camacho 138 10 piso  
Col.Lomas de Chapultepec, Mexico, D.F. 11000  
TEL: 55-9178-4270

**先鋒股份有限公司**

台北市內湖區瑞光路407號8樓  
電話：886-(0)2-2657-3588

**先鋒電子（香港）有限公司**

香港九龍長沙灣道909號5樓  
電話：852-2848-6488

© 2011 PIONEER CORPORATION.  
All rights reserved.

© 2011 PIONEER CORPORATION.  
Tous droits de reproduction et de  
traduction réservés.

Printed in Thailand  
Imprimé en Thaïlande

<CRD4627-A/N> UC

<KYTZX> <11L00000>